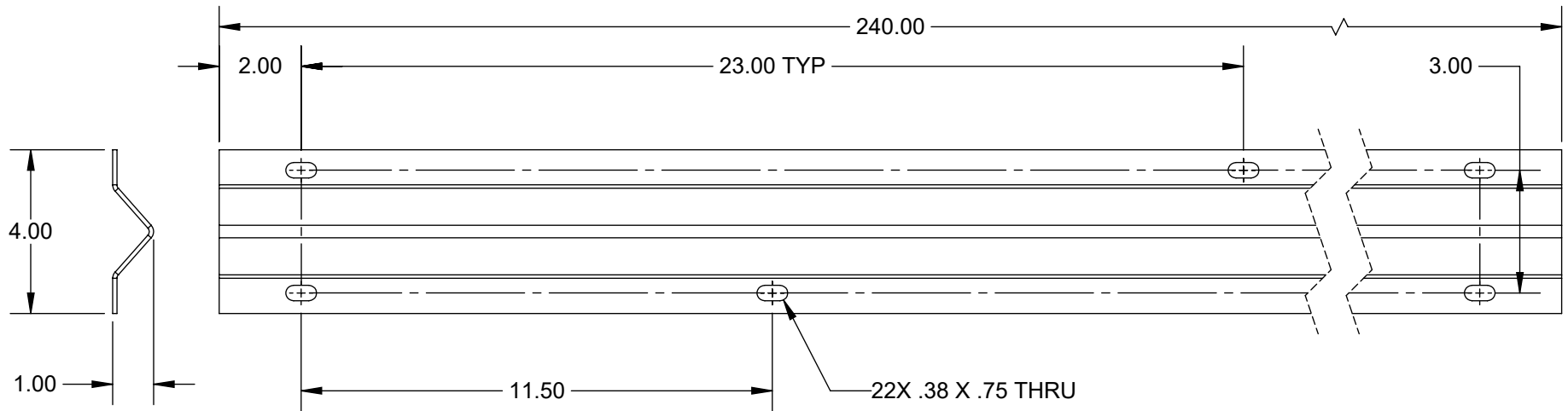


REVISION			
REV	DESCRIPTION	DATE	APPROVED
A	INITIAL RELEASE	5/20/2024	JW



www.ShopAmericanAccess.com | (888) 378 - 1130 | Sales@ShopAmericanAccess.com

UNLESS OTHERWISE SPECIFIED: DIMENSIONS ARE IN INCHES TOLERANCES: FRACTIONAL $\pm 1/16$ ANGULAR: MACH $\pm 1^\circ$ BEND $\pm 3^\circ$.XX $\pm .01$.XXX $\pm .005$		NAME	DATE	TITLE V TRACK, 20 FT
	DRAWN	JW	5/20/2024	
	CHECKED	CB	5/20/2024	
	ENGINEERING	JW	5/20/2024	
DIMENSIONS AND TOLERANCES PER ASME Y14.5M-2004	Q.A.	JC	5/20/2024	SIZE MODEL NO. REV A K-VT20 A
MATERIAL STEEL, .150 (9 GA)	PROPRIETARY AND CONFIDENTIAL THE INFORMATION CONTAINED IN THIS DRAWING IS THE SOLE PROPERTY OF SECURITY BRANDS, INC. AND/OR ITS SUBSIDIARIES. REPRODUCTION IN PART OR IN WHOLE WITHOUT THE WRITTEN PERMISSION OF SECURITY BRANDS, INC. IS PROHIBITED.			
FINISH GALVANIZED				
DO NOT SCALE DRAWING	SCALE: 1:4			SHEET 1 OF 1