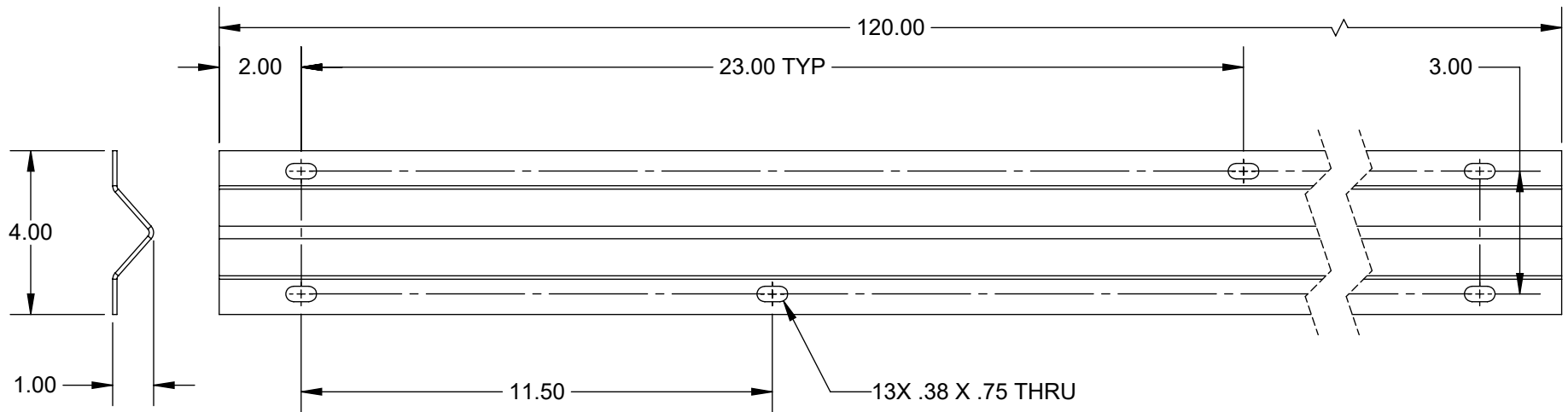


REVISION			
REV			
A			



UNLESS OTHERWISE SPECIFIED: DIMENSIONS ARE IN INCHES TOLERANCES: FRACTIONAL $\pm 1/16$ ANGULAR: MACH $\pm 1^\circ$ BEND $\pm 3^\circ$.XX $\pm .01$.XXX $\pm .005$ DIMENSIONS AND TOLERANCES PER ASME Y14.5M-2004 MATERIAL STEEL, .150 (9 GA) FINISH GALVANIZED DO NOT SCALE DRAWING		NAME	DATE	TITLE V TRACK, 10 FT
	DRAWN	JW	5/20/2024	
	CHECKED	CB	5/20/2024	
	ENGINEERING	JW	5/20/2024	
		Q.A.	JC	5/20/2024
	SIZE	MODEL NO.	REV	
	A	K-VT10	A	
	SCALE: 1:4		SHEET 1 OF 1	