

RTE P

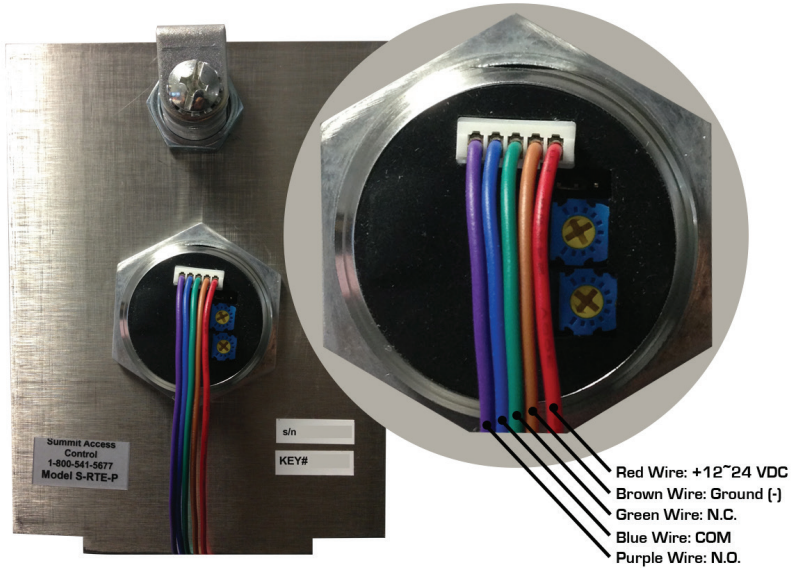
INSTALLATION AND USE MANUAL

58-RTE-P



TOUCHLESS REQUEST-TO-EXIT STATION

Wiring Diagram



Specifications

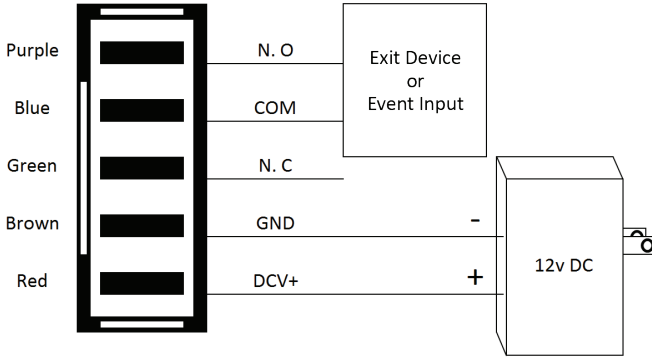
Power Input	12–24 VDC	±10%
Range	1.25 in. to 4.5 in. (±25%)	
Output Loading	1 A @ 30 VDC (Max.)	
Output State	Trigger state (0.5–20 seconds) or toggle mode output	
Lifetime	Infrared Sensor: 100,000 hours	Relay: 1,000,000 uses
Indicator	Standby: RED (default) / Proximity: GREEN (default)	Color of LED is adjustable
Case	Stainless Steel	
Current Consumption	Maximum current: 45 mA	24 VDC
Dimensions	5.25 in. (H) x 4.0 in. (W) x 3.0 in. (D)	
Weight	2.4 lbs (complete enclosure)	

Features

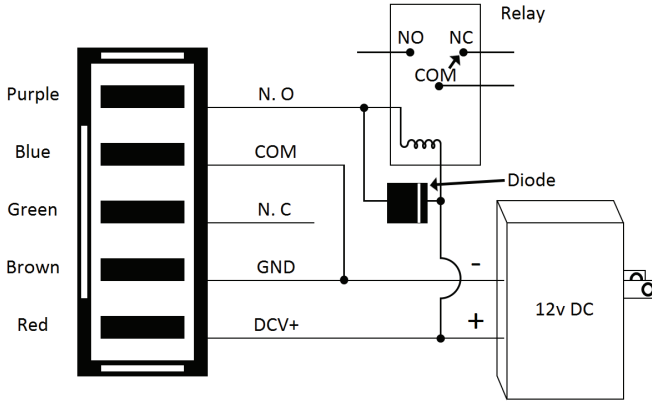
- Adjustable sensor range up to 4.5 inches.
- Stainless-steel faceplate. Powder-coated enclosure.
- Weather-resistant for outdoor use.
- 1-A relay with adjustable trigger duration (0.5–20 seconds or toggle).
- LED illuminated sensor area for easy identification.
- Configurable LED colors (toggle red to green or green to red) to show sensor is activated.

Common Installation Examples

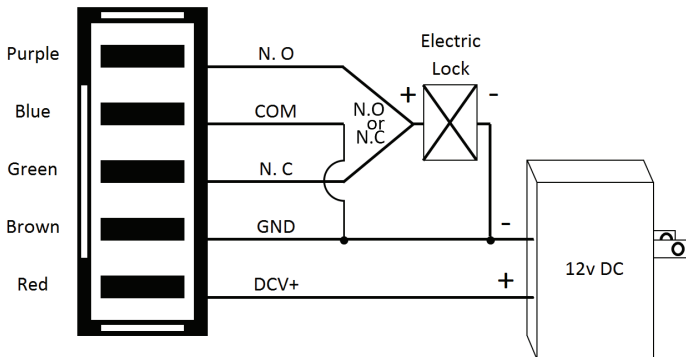
A. Controller Door Opening



B. Connect Relay



C. Electric Lock

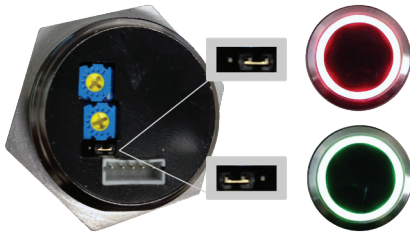


Installation

1. Run four wires through pedestal (or similar mounting hardware).
 2. Connect four wires to request-to-exit sensor according to wiring diagram on previous page.
 3. Reattach stainless-steel faceplate to enclosure, taking care not to crimp any wires.
 4. Remove clear protective film from front face of sensor before use.
-

⚠ WARNING: Do not connect any device that will exceed 1 A @ 30 VDC! This can damage the unit!

Changing the LED Color Jumper Placement



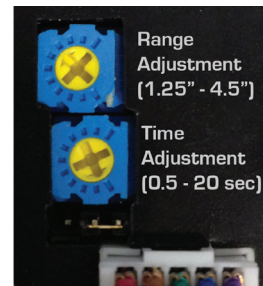
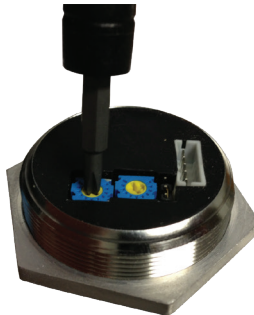
Standby: Red
Trigger: Green
(default)

Standby: Green
Trigger: Red

Adjusting the Sensor Range and Trigger Time

1. The sensor range can be adjusted from 1.25 in. - 4.5 in.
2. The trigger time can be adjusted from 0.5 to 20 seconds or toggle.

IMPORTANT: Do not force the adjustment trimpots to turn. Only minimal force is required.



Care and Cleaning for the Sensor

The sensor requires special care to ensure reliability and a long operating life.

1. Use a soft, clean cloth for cleaning, and use the mildest cleaner available.
 2. When cleaning, spray the cleaning solution onto the cleaning cloth instead of the unit itself.
 3. Be sure to wipe off any excess liquid from the sensor. Wet spots or wet areas may affect the sensor's performance.
-

⚠ WARNING: Use caution when mounting! Incorrect mounting, which leads to exposure to rain or moisture inside the enclosure could cause a dangerous electric shock, damage to the unit, and/or could void the warranty!

An aerial photograph of a vast, snow-covered mountain range. The peaks are jagged and heavily laden with snow, with some rocky outcrops visible. The valleys between the mountains are filled with dense evergreen forests, also partially covered in snow. The overall scene is serene and majestic, with a soft, diffused light.

TOUCHLESS REQUEST-TO-EXIT STATION
MODEL 58-RTE-P