

1	MO	TU	WE	TH	FR	SA	SU
2	MO	TU	WE	TH	FR	SA	
3	MO	TU	WE	TH	FR		
4						SA	SU
5	MO	TU	WE		FR		
6		TU		TH		SA	
7	MO		WE				
8				TH	FR	SA	
9	MO						
10		TU					
11			WE				
12				TH			
13					FR		
14						SA	
15							SU

GENERAL INFO

7-day timers are available in the following models:

- 55-T12** 12-Volt DC Digital Timer
- 55-T24** 24-Volt AC/DC Digital Timer
- 55-T110** 110-Volt AC Digital Timer

Input voltage depends on the model. Please verify the model you have before proceeding. The model number can be found on the rear of the timer housing.

These timers allow storage of up to 17 on/off events per day as well as 15 different daily program schedules, which allow maximum flexibility (see **Figure 1**).

NOTE: Program options shown on timer display are ordered as shown in Figure 1 but are not numbered.

All timers come equipped with a form "C" relay capable of 16 A @ 30 VDC.

All timers feature an internal battery for backup power in the event of a power outage.

Figure 1: Daily Program Schedules

DIMENSIONS IN INCHES

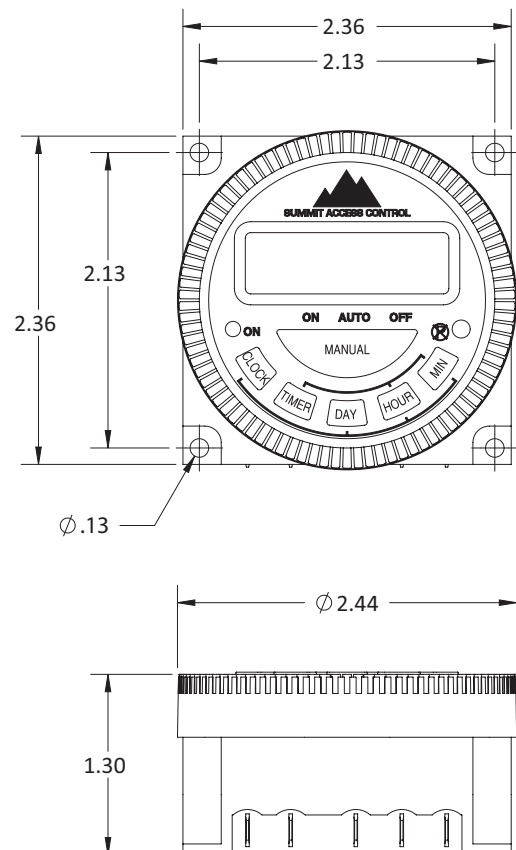


Figure 2: Timer Dimensions

BUTTONS/INDICATORS

CLOCK: to adjust day and time; must be pressed and held to allow use of day and time buttons

TIMER: to set up and review programmed events

DAY: to adjust day of week

HOUR: to adjust hour

MIN: to adjust minutes

MANUAL: to select between **ON/AUTO/OFF** modes (active mode indicated by bar on display)

Modes:

ON: relay is active

AUTO: timer will follow user-specified programs

OFF: relay inactive; no programs will be followed

ON: relay indicator (LED is on when relay is active and off when inactive)

⊗: resets timer settings

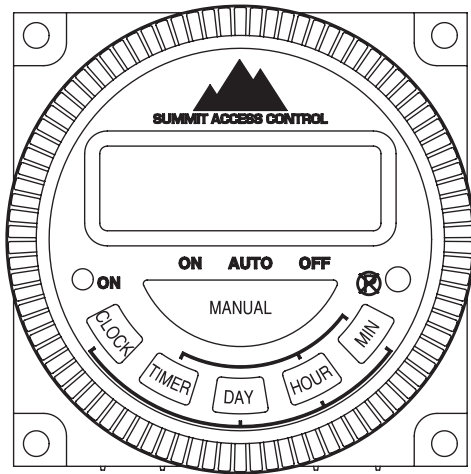


Figure 3: Front Panel

TIMER OPERATION

SETTING DATE AND TIME

Press and hold **CLOCK**, then use **DAY**, **HOUR**, and **MIN** buttons to set date and time.

PROGRAMMING EVENT 1

1. Press **TIMER**. [1 ON --:--] will appear on display unless a time is already stored in memory.
2. Press **DAY** until desired daily program schedule is indicated on display (See **Figure 1**).
3. Press **HOUR** and **MIN** to set desired ON time.
4. Press **TIMER** button again. [1 OFF --:--] will appear on display unless a time is already stored in memory.
5. Set desired OFF time as in Steps 2 and 3.

PROGRAMMING EVENTS 2-17

Repeat steps as in **Programming Event 1**.

EXITING PROGRAMMING MODE

Once all events are programmed, press **CLOCK** to exit programming mode.

ACTIVATING TIMER FOR AUTOMATIC USE

Press **MANUAL** button until indicator bar on display appears above **AUTO**.

REVIEW PROGRAMMED EVENTS

Press **TIMER** button to see first event programmed. Repeat to review each event.

NOTE: If an ON time is set, a corresponding OFF time must also be set.

NOTE: Timer will exit programming mode automatically after 20 seconds of inactivity.

WIRE CONNECTIONS

NOTE: Use 1/4" female spade connectors for your wire connections.

1 = Power Positive + (55-T12 = 12 VDC, 55-T24 = 24 VAC/DC, 55-T110 = 110 VAC hot)

2 = Power Negative - (55-T12 = 12 VDC, 55-T24 = 24 VAC/DC, 55-T110 = 110 VAC neutral)

3 = Timer Relay NC (Normally Closed)

4 = Timer Relay NO (Normally Open)

5 = Timer Relay COM (Common)

Refer to **Figure 4**.

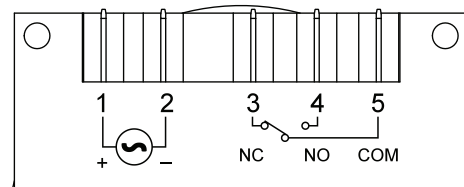


Figure 4: Wire Connections (rear of unit)