

# ADVANTAGE DKE

26 SERIES

100- AND 500-CODE ECONOMY KEYPADS

## FEATURES

- Control up to 2 gates/doors (26-500)
- Control 1 gate/door (26-100SGL)
- 500 four-digit code capacity (26-500)
- 100 four-digit code capacity (26-100SGL)
- Latch code
- Personal master code
- Variable relay time
- Event input (26-500 only)
- Audible-tone feedback
- Non-volatile memory
- Backlit keypad



ADVANTAGE

SOLID ACCESS CONTROL FOR OVER 35 YEARS

## NO-NONSENSE OPERATION

If you're looking for keypads that are easy to program and easy to use, look no further!

## THE SMART SOLUTION

These keypads have all the features you want and then some but still come in at a price that will fit any budget.

## STURDY AND DURABLE

All our products are made from high-quality materials that will last for years to come.

## PROGRAMMING YOU KNOW

Quick, simple, and familiar, the basic programming steps on the keypad are identical to those on all our keypads.

## SPECIFICATIONS

### PHYSICAL

#### 26-500

Dimensions 5.41"(H) x 4.07"(W) x 3.38"(D)

Shipping Weight 4 lbs.

#### 26-100SG

Dimensions 4.50"(H) x 2.75"(W) x 0.50"(D)

Shipping Weight 1 lb.

### ELECTRICAL

Input 12-24 VAC/DC  
power supply not included

Current Draw (26-500) less than 41 mA @ 12 VDC  
less than 22 mA @ 24 VDC  
with relay latched and backlit components on

### RELAY

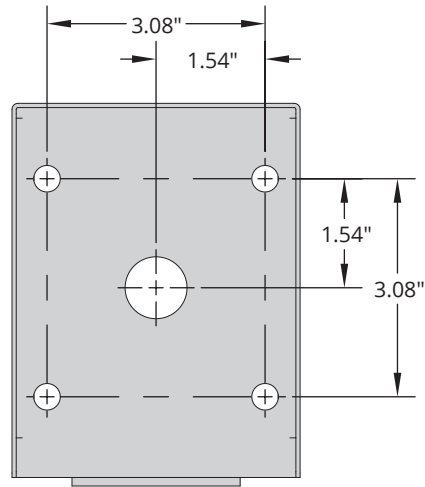
Contact Rating 1 A @ 24 V / .5 A @ 120 V  
DC Load / AC Load

Variable Relay Time 1-999 / 1-9 seconds  
26-500 / 26-100SG

### ENVIRONMENTAL

Operating Temperature -15 to 175 °F

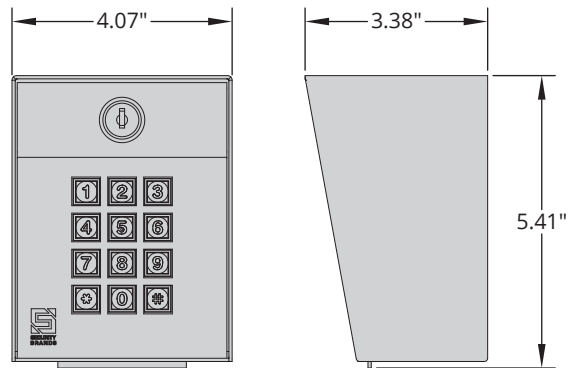
## MOUNTING (26-500)



### HOLE SIZES

Wiring pass through 0.88"  
Mounting holes (x4) 0.38"

*Unit includes mounting hardware.*



26-500 shown

## AVAILABLE MODELS



26-500  
Post Mount



26-100SGL  
Single Gang