

ASCENT_{switch}

25-S1

CELLULAR SWITCH

FEATURES

- Full cellular with automatic network selection
- Control 1 gate/door/device
- Up to 20 app, text, and voice users*
- Push and/or email event and status notifications
- Cloud-based access control management
- IP65-rated polycarbonate enclosure



* Maximum number is dependent on plan.

A REMOTE CONTROL FOR ANYTHING

Whatever you need to control remotely, we've got you covered and then some.

POWERFULLY EXPANDABLE

It's a multi-door access control solution that grows. Network multiple units together and manage multiple entries via Summit Control.

RUGGED AND DURABLE

This unit has been engineered to stand up to the elements for years to come.

DISCREET AND SECURE

Place this unit in a secure location for an added level of protection, and control and manage everything remotely.

SPECIFICATIONS

PHYSICAL

Dimensions	8.97"(H) x 7.09"(W) x 2.44"(D)
Shipping Weight	4 lbs.

ELECTRICAL

Input	12-24 VDC 12-VDC power supply included (PS-12DC1)
Current Draw	less than 330 mA @ 12 VDC less than 160 mA @ 24 VDC with relay latched

RELAY

Contact Rating	10 A @ 120 VAC / 24 VDC
Max Switching Voltage	250 VAC / 30 VDC
Max Switching Current	15 A
Max Switching Power	240 W / 2,770 VA

COMMUNICATION

Cellular Network	4G LTE
------------------	--------




ENVIRONMENTAL

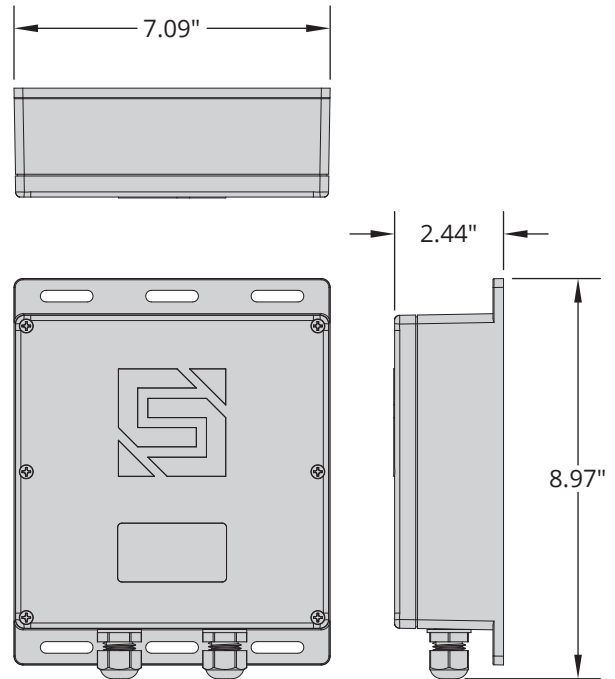
Operating Temperature	-15 to 158 °F
Enclosure Weather Rating	IP65

▲ Actual voltage should be no more than 10% beyond specified range. Use of the included 12-VDC power supply is recommended.

CONTROL IT YOUR WAY

1
DOOR

-  APP
-  TEXT
-  VOICE



Unit includes two (2) pre-installed 3/8" NPT cable glands for wiring.