

ASCENT K²

25-K2

CELLULAR KEYPAD WITH PROXIMITY CARD READER MOUNT

FEATURES

- 4G LTE cellular
- High-definition Ascent Camera for still photos
- Photo push notifications
- 2 Wiegand inputs
- Ascent Link integration
- Control up to 2 gates/doors
- Cloud-based access control management
- Up to 10,000 app, text, and voice users
- Up to 1,000 keypad codes
- Push and/or email event and status notifications
- Mounting location with removable cover plate for HID and Secura Key proximity card readers



VERSATILE AND CONVENIENT

Control your gate or door from anywhere using a computer, tablet, or phone.

AN ASCENT WITH A VIEW

Get visual ID for all guests with photo push notifications, and receive photos automatically or whenever you choose.

JUST SWIPE YOUR CARD

Install your own proximity card reader, and enjoy an added degree of flexibility.

KEYPAD CONVENIENCE

Control up to two gates/doors with the onboard keypad, and easily add up to two additional Wiegand devices to your system.

SPECIFICATIONS

PHYSICAL

Dimensions	8.42"(H) x 7.45"(W) x 5.15"(D)
Shipping Weight	9 lbs.

ELECTRICAL

Input	12–24 VAC/DC 12-VDC power supply included (PS-12DC1)
Current Draw	less than 190 mA @ 12 VDC less than 160 mA @ 24 VDC with relay latched and backlit components on

RELAY

Contact Rating	10 A @ 120 VAC / 24 VDC
Max Switching Voltage	250 VAC / 30 VDC
Max Switching Current	15 A
Max Switching Power	240 W / 2,770 VA

COMMUNICATION




Cellular Network	4G LTE
------------------	--------

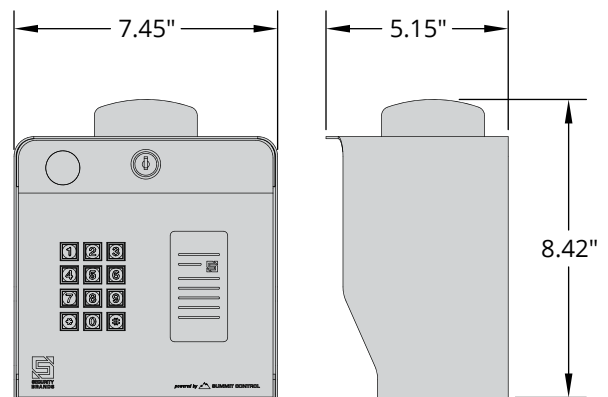
ENVIRONMENTAL

Operating Temperature	-15 to 158 °F
-----------------------	---------------

CONTROL IT YOUR WAY

2⁺
DOOR

-  APP
-  TEXT
-  VOICE
-  KEYPAD*
-  WIEGAND DEVICES



▲ Actual voltage should be no more than 10% beyond specified range. Use of the included 12-VDC power supply is recommended.