

# REMOTE PRO CR



23 SERIES

WIEGAND-OUTPUT PROXIMITY CARD READERS

## FEATURES

- HID® ProxPoint® Plus or Secura Key reader
- 26-bit Wiegand output
- Audible-tone and LED feedback
- Backlit keypad (keypad models only)

## WORKS WITH

- **Ascent** (select models)
- **Edge**
- Other 26-bit Wiegand controllers



## SIMPLE IS OUR NAME

These proximity card readers couldn't be any more simple to install and use.

## VERSATILITY IS OUR GAME

We offer three post-mount units to fit your needs: a card reader, a card reader with an intercom, and a card reader with a keypad.

## STURDY AND DURABLE

All our products are made from high-quality materials that will last for years to come.

## PLAYS WELL WITH OTHERS

Connect to any controller that uses the industry-standard 26-bit Wiegand protocol and you're in business. It's as easy as that!



## SPECIFICATIONS

### PHYSICAL

Dimensions 5.80"(H) x 7.45"(W) x 5.25"(D)  
 Shipping Weight 5 lbs.

### ELECTRICAL

Input 9-12 VDC  
 supplied by Wiegand controller

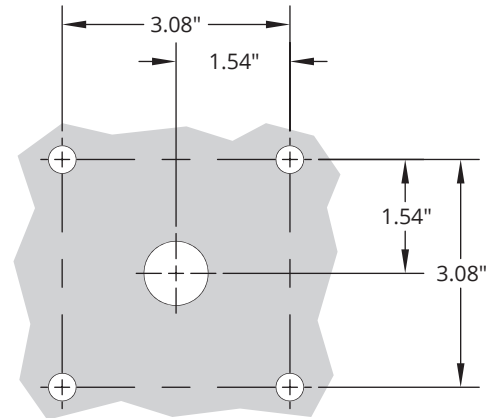
### EQUIPMENT

Reader HID® ProxPoint® Plus or Secura Key  
 dependent on model

### ENVIRONMENTAL

Operating Temperature -15 to 150 °F

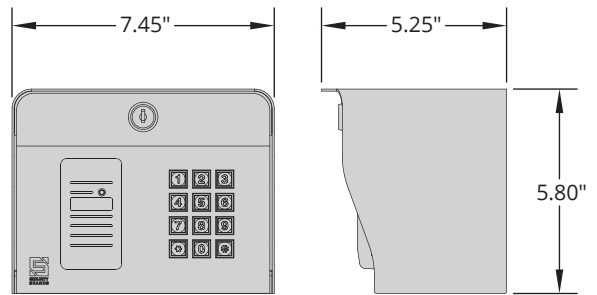
## MOUNTING (BACK OF UNIT SHOWN)



### HOLE SIZES

Wiring pass through 0.88"  
 Mounting holes (x4) 0.38"

*Unit includes mounting hardware.*



*Model 23-006KP*

## AVAILABLE MODELS (SEE PRICE GUIDE TO SEE ALL MODELS)



**23-006**  
 Post Mount



**23-006I**  
 Post Mount w/ Intercom



**23-006KP**  
 Post Mount w/ Keypad