

RTE HW QUICK START GUIDE

Model S-RTE-HW



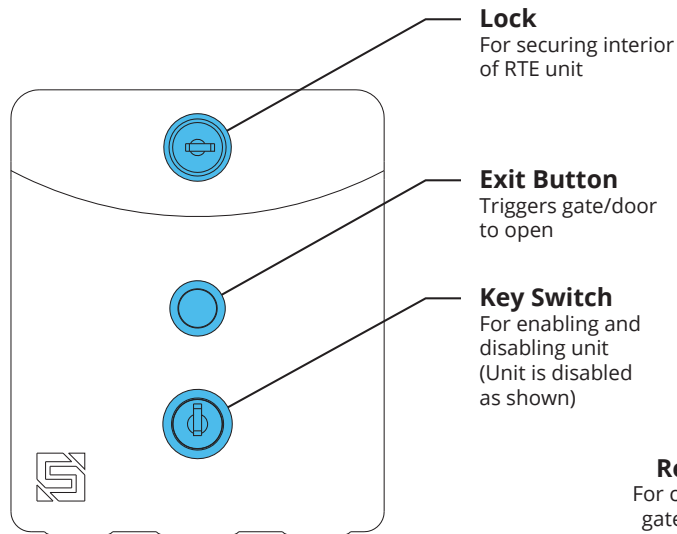
1 Carefully unpack box.

2 Make sure you have everything shown here. (Screwdriver not shown)

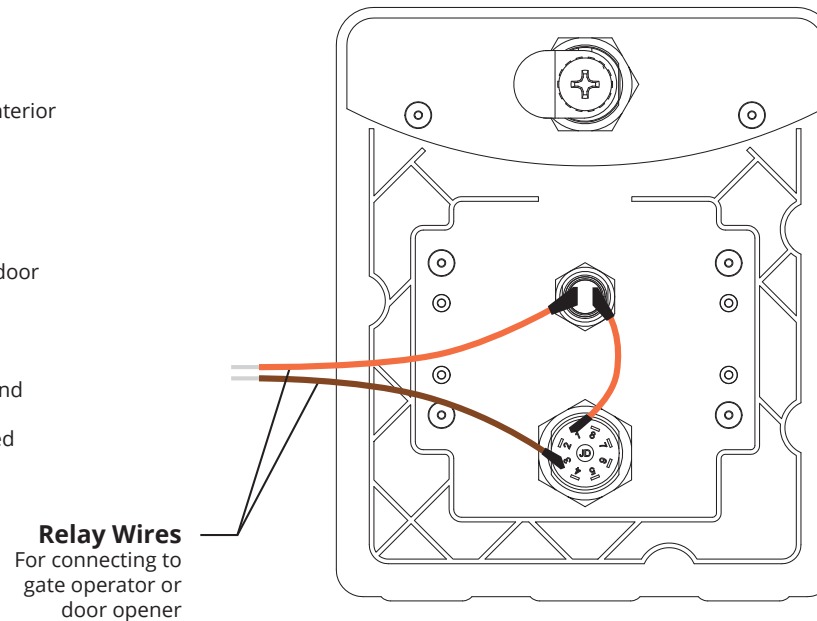
RTE Unit Key Switch Keys Lock Key Carriage Bolt (4x) Hex Nut (4x) Hole Plug

What's what?

Important components labeled



RTE Unit Faceplate (Front)



RTE Unit Faceplate (Back)

3 Unlock and remove faceplate of RTE unit, then using included carriage bolts and hex nuts, attach unit to pedestal as shown.

Continued on next page...

! WARNING!

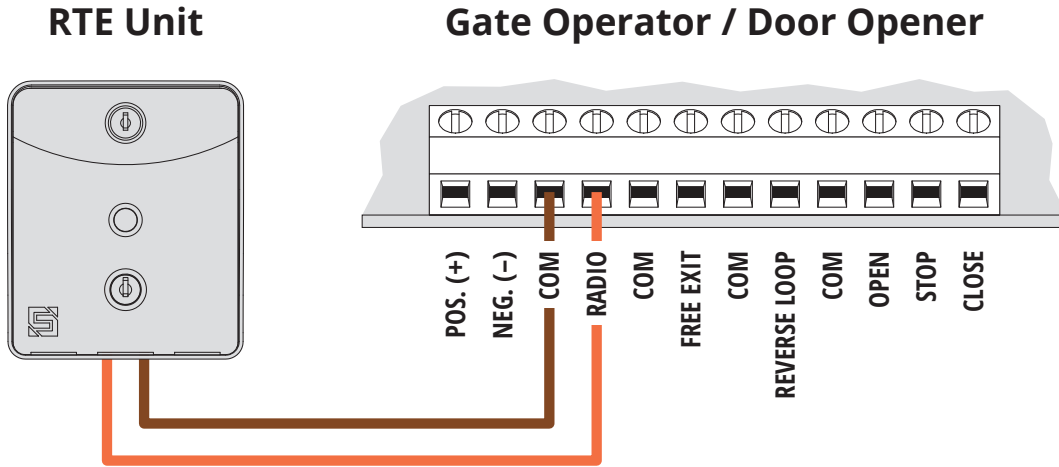
AUTOMATIC GATES CAN CAUSE SERIOUS INJURY OR DEATH!

ALWAYS CHECK that the **GATE PATH IS CLEAR BEFORE OPERATING!**

Reversing or other safety devices **SHOULD ALWAYS BE USED!**

4a Connect wires

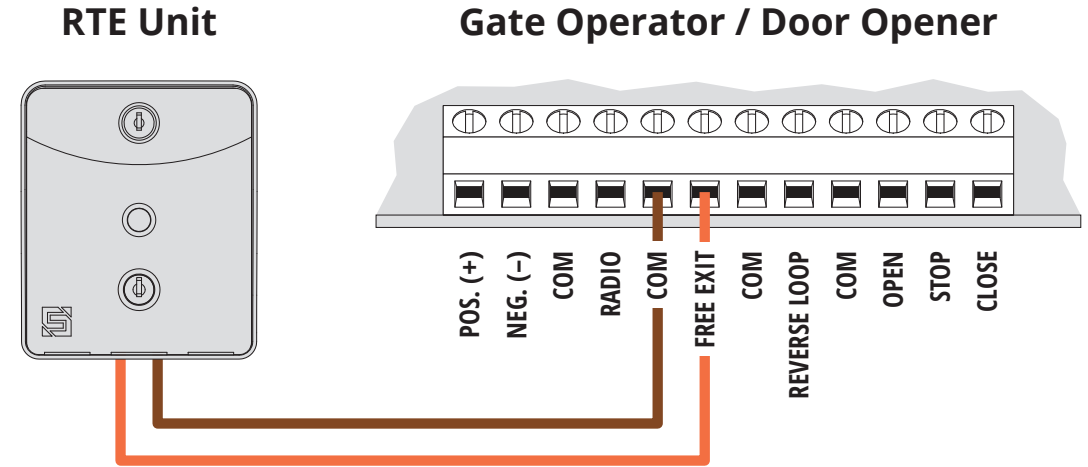
Gate Operator Timer-to-Close
OFF



Consult gate operator or door opener manual for exact connections.
Terminals vary widely across manufacturers and models.

4b Connect wires

Gate Operator Timer-to-Close
ON



Consult gate operator or door opener manual for exact connections.
Terminals vary widely across manufacturers and models.

CAUTION!
A closing gate can cause injury to persons or damage to property.
ALWAYS USE SAFETY DEVICES!



INSTALLATION COMPLETE!

Your system is ready to use.

WARNING!
AUTOMATIC GATES CAN CAUSE SERIOUS INJURY OR DEATH!
ALWAYS CHECK that the **GATE PATH IS CLEAR BEFORE OPERATING!**
Reversing or other safety devices **SHOULD ALWAYS BE USED!**