

# SECUREPASS CR<sup>1</sup>



40-100

WIEGAND PROXIMITY CARD READER

## FEATURES

- Control 1 door
- 26-bit Wiegand protocol
- Reads SecurePass, HID®, and EM cards and fobs\*
- Audible-tone and LED feedback
- Tamper-resistant cover
- Durable polycarbonate construction
- Designed for indoor or outdoor use



## WORKS WITH

- Ascent family (select models)
- Connect family (**COMING SOON**)
- Edge family
- Other 26-bit Wiegand controllers

\* Reader can read both HID and HID-compatible cards and fobs.

## FLEXIBLE FOR YOU

From SecurePass and HID to EM cards and fobs, our card reader reads them all.

## INDUSTRY STANDARD

Taking advantage of the industry standard 26-bit Wiegand protocol, our card reader will work with any 26-bit Wiegand controller.

## SIMPLICITY IN DESIGN

Green means go. A solid green light after scanning a card means access is granted.

## TOUGH AND DURABLE

Durable polycarbonate construction, potted circuitry, and a tamper-resistant cover allow this card reader to stand up to the elements.



[www.ShopAmericanAccess.com](http://www.ShopAmericanAccess.com) | (800) 878-7829 | [Sales@ShopAmericanAccess.com](mailto:Sales@ShopAmericanAccess.com)



SPECIFICATIONS

PHYSICAL

Dimensions 3.60"(H) x 1.69"(W) x 0.71"(D)  
Shipping Weight 1 lb.

ELECTRICAL

Input 9-16 VDC  
supplied by Wiegand controller

COMMUNICATION

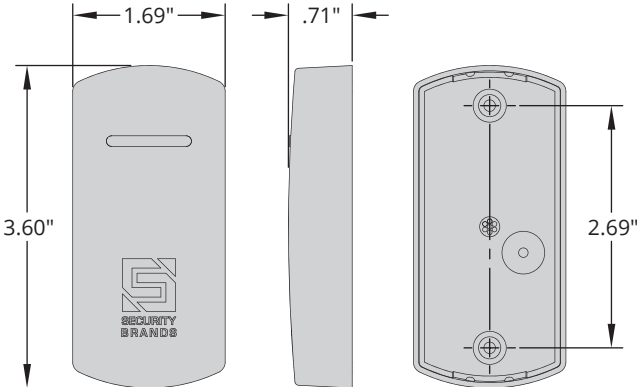
Connection 26-bit Wiegand  
Wiring 9.5-inch pigtail

ENVIRONMENTAL

Operating Temperature -15 to 158 °F

CONNECTIVITY

WIEGAND



Includes hardware for surface and faceplate mounting

RELATED PRODUCTS



SECUREPASS CARD  
RFID Proximity Card  
40-C



SECUREPASS FOB  
RFID Fob  
40-F



SECUREPASS TR1  
Wiegand Mid-Range Vehicle Tag Reader  
40-200