



## SPECIFICATIONS

### PHYSICAL

#### 12-000

Dimensions 5.22"(H) x 5.22"(W) x 5.10"(D)

Shipping Weight 4 lbs.

#### 12-000I

Dimensions 5.75"(H) x 7.45"(W) x 5.25"(D)

Shipping Weight 6 lbs.

#### 12-000SG

Dimensions 4.50"(H) x 2.75"(W) x 0.75"(D)

Shipping Weight 1 lb.

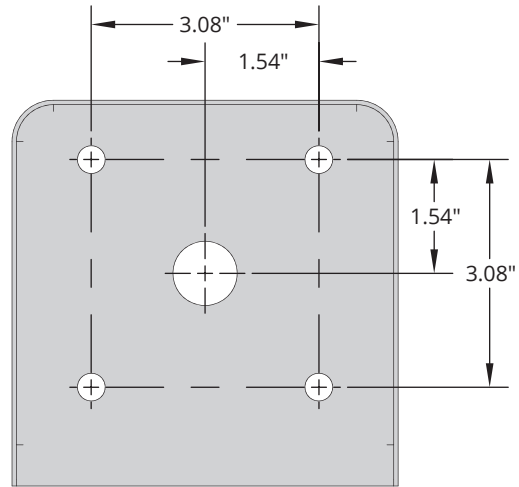
### ELECTRICAL

Input 9-12 VDC  
supplied by Wiegand controller

### ENVIRONMENTAL

Operating Temperature -15 to 175 °F

## MOUNTING (12-000)

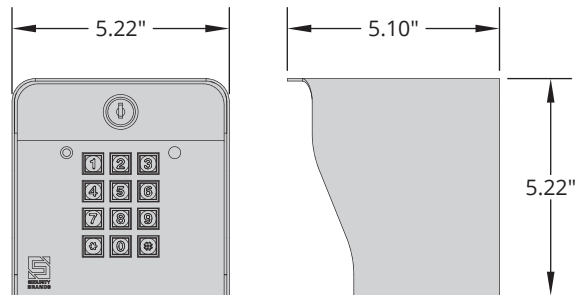


### HOLE SIZES

Wiring pass through 0.88"

Mounting holes (x4) 0.38"

*Unit includes mounting hardware.*



12-000 shown

## AVAILABLE MODELS



12-000  
Post Mount



12-000I  
Post Mount w/ Intercom



12-000SG  
Single Gang