

REMOTE PRO CR



23 SERIES

WIEGAND-OUTPUT PROXIMITY CARD READERS

FEATURES

- HID® ProxPoint® Plus or Secura Key reader
- 26-bit Wiegand output
- Audible-tone and LED feedback
- Backlit keypad (keypad models only)

WORKS WITH

- **Ascent** (select models)
- **Edge**
- Other 26-bit Wiegand controllers



SIMPLE IS OUR NAME

These proximity card readers couldn't be any more simple to install and use.

VERSATILITY IS OUR GAME

We offer three post-mount units to fit your needs: a card reader, a card reader with an intercom, and a card reader with a keypad.

STURDY AND DURABLE

All our products are made from high-quality materials that will last for years to come.

PLAYS WELL WITH OTHERS

Connect to any controller that uses the industry-standard 26-bit Wiegand protocol and you're in business. It's as easy as that!



SPECIFICATIONS

PHYSICAL

Dimensions 5.80"(H) x 7.45"(W) x 5.25"(D)
 Shipping Weight 5 lbs.

ELECTRICAL

Input 9-12 VDC
 supplied by Wiegand controller

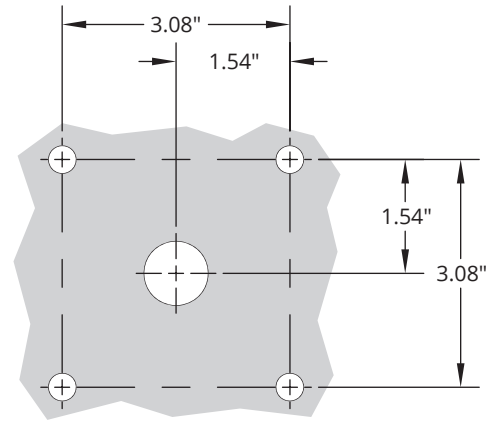
EQUIPMENT

Reader HID® ProxPoint® Plus or Secura Key
 dependent on model

ENVIRONMENTAL

Operating Temperature -15 to 150 °F

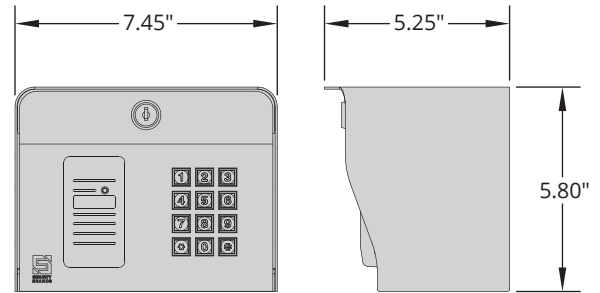
MOUNTING (BACK OF UNIT SHOWN)



HOLE SIZES

Wiring pass through 0.88"
 Mounting holes (x4) 0.38"

Unit includes mounting hardware.



Model 23-006KP

AVAILABLE MODELS (SEE PRICE GUIDE TO SEE ALL MODELS)



23-006
 Post Mount



23-006I
 Post Mount w/ Intercom



23-006KP
 Post Mount w/ Keypad