

PEDESTALS

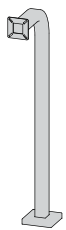
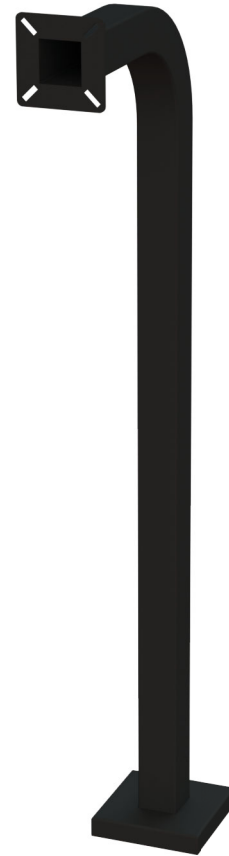


18 SERIES

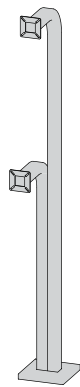
GOOSENECK PEDESTALS FOR ACCESS CONTROL SYSTEMS

FEATURES

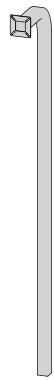
- 14-gauge 2-inch square steel-tube construction
- Durable black powder-coated finish
- Auto, truck, and dual-height models
- Pad-mount and direct-burial versions
- 12-inch gooseneck reach



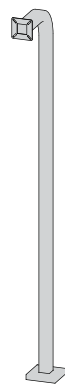
18-001



18-003



18-011



18-012

JUST THE RIGHT FIT

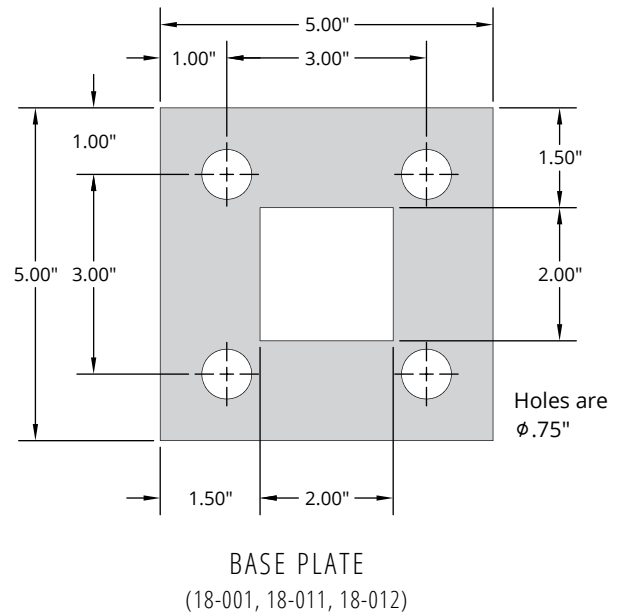
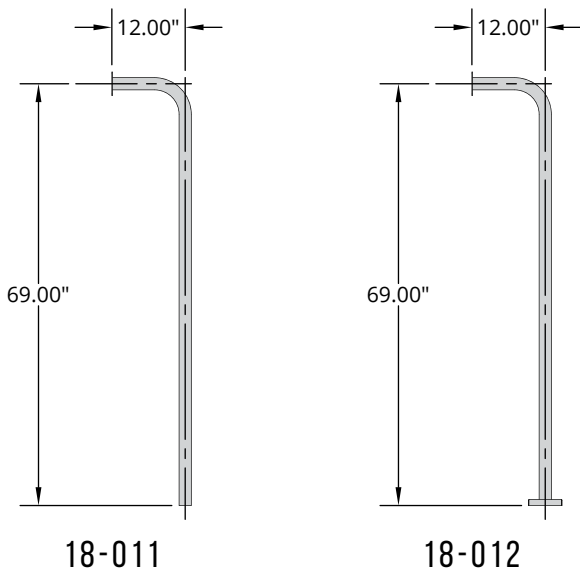
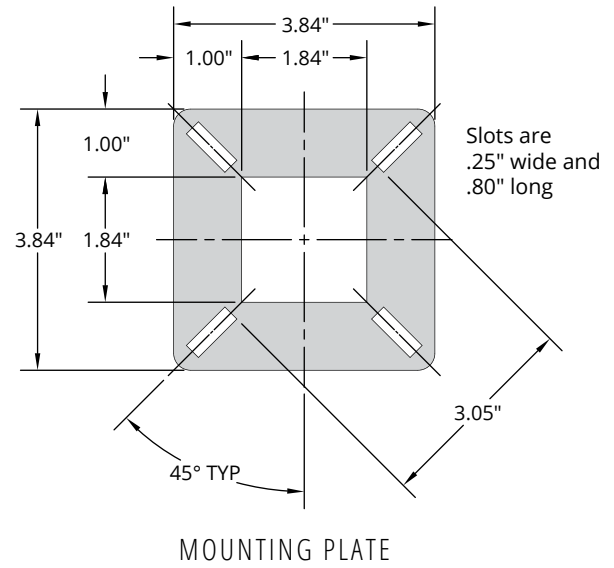
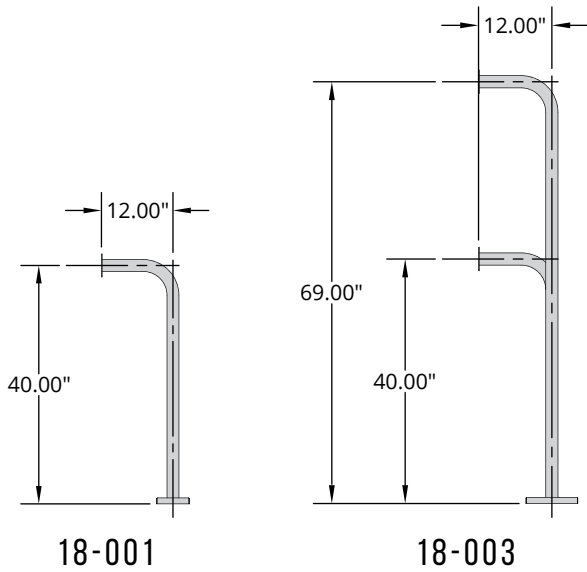
Whether you're mounting on concrete or in the ground or will be catering to cars, trucks, or both, we have just the right fit for you.

STURDY AND DURABLE

Made from 14-gauge 2-inch square steel tubing and powder coated, these pedestals will stand up to the elements for many years.



SECURITY BRANDS INC



AVAILABLE MODELS

Additional information and dimensional drawings can be found at securitybrandsinc.com/resources/

MODEL	DESCRIPTION	MOUNT HEIGHT	SHIP. WEIGHT
18-001	pad mount, auto height	40"	15 lbs.
18-003	pad mount, dual height	40", 69"	34 lbs.
18-011	direct burial, auto height	69"	17 lbs.
18-012	pad mount, truck height	40"	21 lbs.