

# EDGE E<sup>4</sup>



27-240

SMART CONTROLLER

## FEATURES

- Control up to 2 gates/doors
- 2 Wiegand inputs
- 2 event inputs
- 2 digital inputs
- Bluetooth connectivity
- App-based programming and management
- SBI Flex™ 64-bit and standard 26-bit protocol
- IP65-rated polycarbonate enclosure



GET THE EDGE SMART KEYPAD APP



## POWERFULLY SIMPLE APP

All programming and management can be done quickly and securely via the app.

## SBI FLEX 64-BIT PROTOCOL

Our proprietary Wiegand protocol allows for 4- to 11-digit keypad codes with 3-digit facility code for maximum flexibility.

## DUAL 365-DAY TIMERS

A separate 365-day timer on each relay gives you the versatility and control you need.

## CONFIGURABLE USER PERMISSIONS

Set specific user permissions on all keypad codes, transmitters, card readers, and long-range tag readers independently.



## SPECIFICATIONS

### PHYSICAL

Dimensions	12.56"(H) x 8.50"(W) x 6.00"(D)
Shipping Weight	5 lbs.

### ELECTRICAL

Input	12-24 VAC/DC 12-VDC power supply included (PS-12DC1)
Current Draw	less than 111 mA @ 12 VDC less than 60 mA @ 24 VDC with one relay latched

### RELAY

Contact Rating	10 A @ 120 VAC / 24 VDC
----------------	-------------------------

### COMMUNICATION

Connection	Bluetooth
------------	-----------

### ENVIRONMENTAL

Operating Temperature	-15 to 158 °F
-----------------------	---------------

⚠ Actual voltage should be no more than 10% beyond specified range. Use of the included 12-VDC transformer is recommended.

## CONTROL IT YOUR WAY



APP<sup>†</sup>



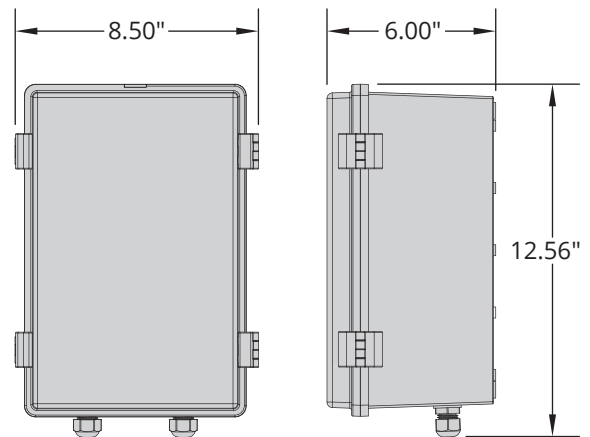
WIEGAND DEVICES

<sup>†</sup> Administrator only

## CONNECTIVITY



BLUETOOTH



Unit includes two (2) pre-installed 3/8" NPT cable glands for wiring.

## OTHER EDGE MODELS (SEE PRICE GUIDE TO SEE ALL MODELS)



**EDGE E1**  
Keypad  
27-210



**EDGE E2**  
Card Reader  
27-220



**EDGE E3**  
Keypad and Card Reader  
27-230