

# CANTILEVER ROLLERS



**K-CRP SERIES**

**ROLLERS FOR CANTILEVER SLIDE GATES**

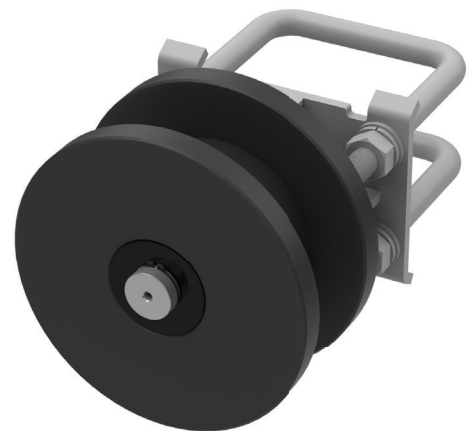
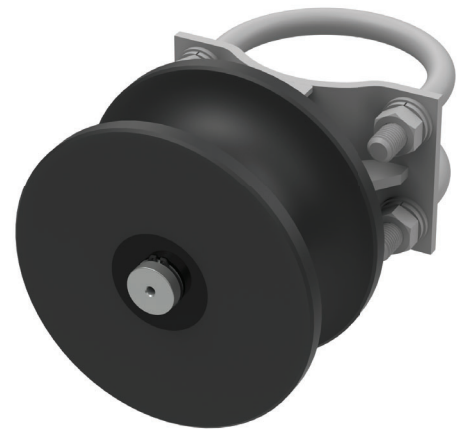
## MODELS

### **K-CRPR6** (top)

fits 2-3/8" round gate frames and 4" round posts

### **K-CRPS22** (bottom)

fits 2" square gate frames and 4" square posts



## FEATURES

- Magnets on bases for time-saving installation
- UHMW-polyethylene graphite-impregnated wheels
- Long-lasting sealed roller bearings
- Zinc-plated steel axles
- Zinc-coated steel bases and mounting hardware
- Tough UV-resistant protective covers included
- Rated up to 2,000 pounds when using 4 rollers\*

## THE PERFECT FIT EVERY TIME

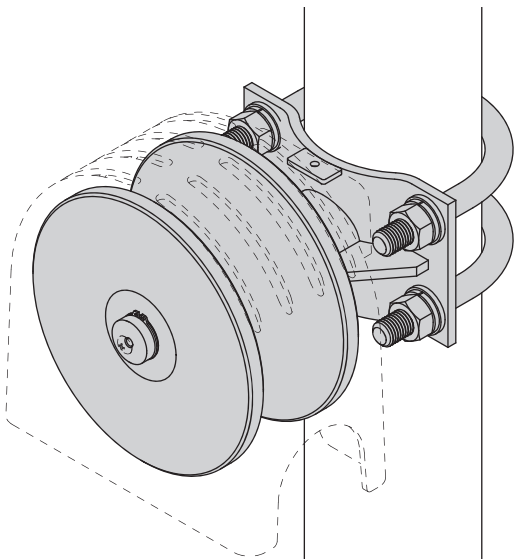
Whether you're building a gate with round stock or square, we have the roller for you. And magnets on the bases make install easy.

## SMOOTH, QUIET, AND LONG LASTING

Advanced materials make our wheels extra smooth and quiet, and sealed roller bearings provide long life with very little maintenance.



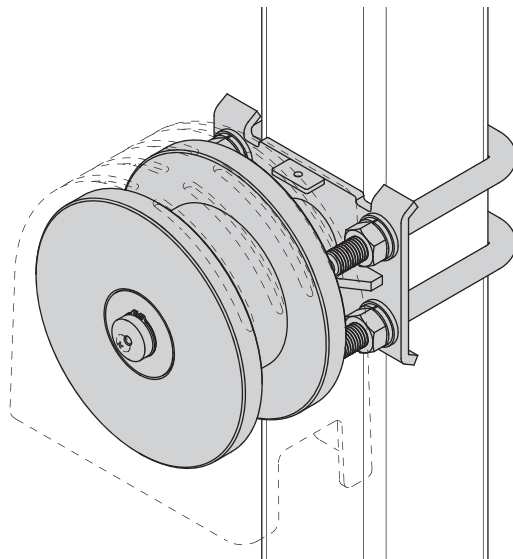
# CANTILEVER ROLLERS



## K-CRPR6

Cantilever Roller

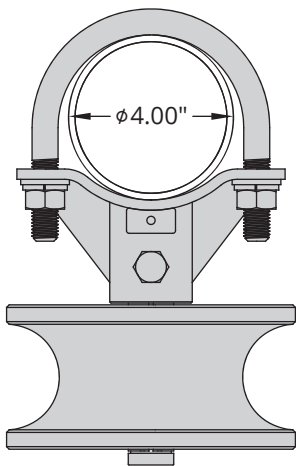
2-3/8-inch Round Frames, 4-inch Round Posts  
(covers and mounting hardware included)



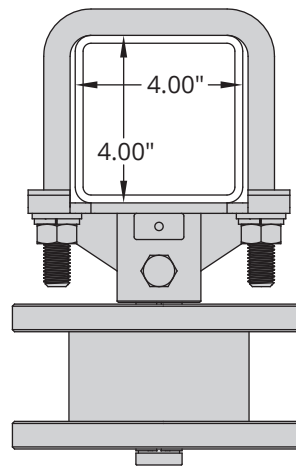
## K-CRPS22

Cantilever Roller

2-inch Square Frames, 4-inch Square Posts  
(covers and mounting hardware included)



TOP VIEW (INSTALLED)



TOP VIEW (INSTALLED)

MODEL	DESCRIPTION	SHIPPING WEIGHT
K-CRPR6	cantilever roller for round stock	13 lbs.
K-CRPS22	cantilever roller for square stock	13 lbs.

*\* For the longevity of your rollers and proper operation of your gate system, having a properly balanced gate is extremely important. Always use, or consult with, a professional fence fabricator when building your gate system.*