

ADVANTAGE DK



ADV-1000 SERIES

1,000-CODE KEYPADS

FEATURES

- Control up to 2 gates/doors
- 1,000 four-digit code capacity
- "3 strikes, you're out" security
- Latch code
- Sleep code
- Personal master code
- Variable relay time
- Event input
- Audible-tone and LED feedback
- Non-volatile memory
- Backlit keypad



 **FLAGSHIP** PRODUCT

ADVANTAGE

SOLID ACCESS CONTROL FOR OVER 35 YEARS

NO-NONSENSE OPERATION

If you're looking for keypads that are easy to program and easy to use, look no further!

THE ORIGINAL KEYPAD COMBO

Need a keypad that's also an intercom or one with a Knox lock cutout? This keypad has always been more than just a keypad.

STURDY AND DURABLE

All our products are made from high-quality materials that will last for years to come.

PROGRAMMING YOU KNOW

Quick, simple, and familiar, the basic programming steps on the keypad are identical to those on all our keypads.



SPECIFICATIONS

PHYSICAL

ADV-1000

Dimensions 5.22"(H) x 5.22"(W) x 5.10"(D)

Shipping Weight 4 lbs.

ADV-1000I / ADV-1000-KNOX

Dimensions 5.80"(H) x 7.45"(W) x 5.25"(D)

Shipping Weight 6 lbs.

ELECTRICAL

Input 12-24 VAC/DC
power supply not included

Current Draw less than 67 mA @ 12 VDC
less than 35 mA @ 24 VDC
with relay latched and backlit components on

RELAY

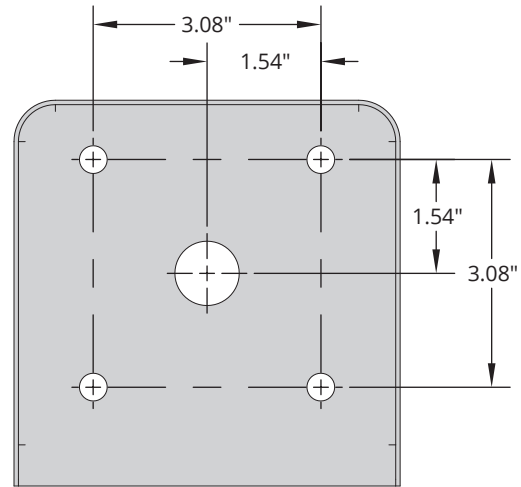
Contact Rating 1 A @ 24 V / .5 A @ 120 V
DC Load / AC Load

Variable Relay Time 1-999 seconds

ENVIRONMENTAL

Operating Temperature -15 to 175 °F

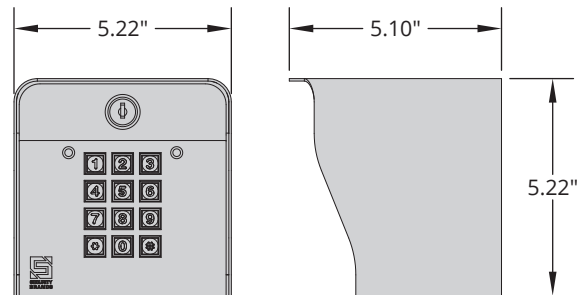
MOUNTING (ADV-1000)



HOLE SIZES

Wiring pass through 0.88"
Mounting holes (x4) 0.38"

Unit includes mounting hardware.



ADV-1000 shown

AVAILABLE MODELS



ADV-1000
Post Mount



ADV-1000I
Post Mount w/ Intercom



ADV-1000-KNOX
Post Mount w/ Knox Cutout