



1 Carefully unpack box and make sure you have all items shown here. (Screwdriver not shown)

Ascent Unit 12-V AC/DC Adapter (PS-12DC1) Key Carriage Bolt (4x) Hex Nut (4x)

! IMPORTANT!

Ascent **WILL NOT WORK** until the activation process is **COMPLETE!**

Follow the **Activation Guide** or call **Summit Control** at **(972) 474-6422** to activate your unit.

! STOP!

This is a cellular accessory for a gate/door, so an uninterrupted cellular connection **CANNOT BE GUARANTEED.**

An emergency egress or primary entry mechanism **SHOULD ALWAYS BE USED** (transmitter, fire box, mechanical release). Consult with your dealer, distributor, and/or system designer for more information.

! WARNING!

AUTOMATIC GATES CAN CAUSE SERIOUS INJURY OR DEATH!

ALWAYS CHECK that the **GATE PATH IS CLEAR BEFORE OPERATING!**

REVERSING or other **SAFETY DEVICES SHOULD ALWAYS BE USED!**

2 **Unlock and open front panel of unit for wiring and setup.**

What's what?

Important components labeled

- Antenna Cables**
- Power and Relay Terminals**
For wiring to power and gate operator or door opener. See Page 2.
- Relay Status LEDs**
Relay is active when lit.
- Wiegand Device Terminals**
For wiring to Wiegand-compatible devices. See Page 4.
- Status and Event Terminals**
For wiring to check gate status and for request-to-exit devices. See Page 3.
- Resident Directory Back Plate**
Plate removes to allow insertion of user-printed resident directory insert. Printable templates can be downloaded from summitcontrol.com/resources.
- Ascent Camera**
For automatic and on-demand photo capture

SIM Card

Unit shown with front panel fully open. Internal wiring not shown for clarity.

! CAUTION!

Please use **all four screws** when mounting unit to pedestal. Leave "hockey puck" antenna in place, even if using extension. Seal any holes or gaps created in unit enclosure.

Failure to follow instructions can damage unit!

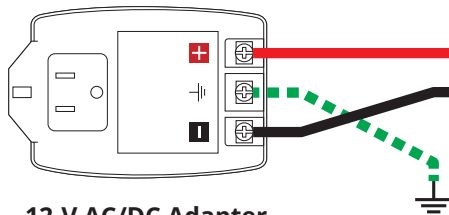
Continued on next page...

3 Connect wires

Feed wires through back of unit and connect as shown using included screwdriver.

Excessive force can damage unit.

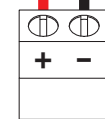
If plugging into duplex outlet, remove screw from outlet plate, and secure with included screw.



12-V AC/DC Adapter
(Model PS-12DC1 included)

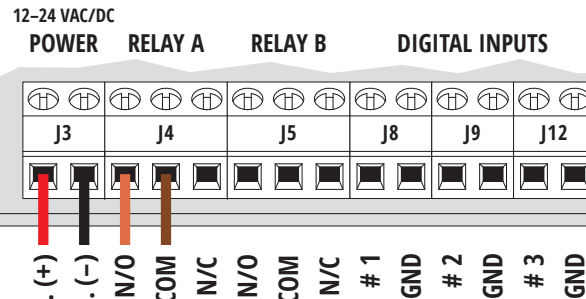
The GROUND terminal is optional unless required by local code(s). If using, please connect to earth ground or equivalent.

OR

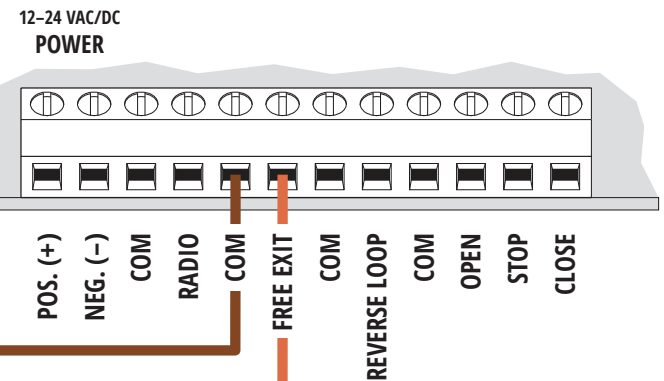


Third-Party 12-24-VAC/DC Power Source

Ascent Power and Relay Terminals



Gate Operator / Door Opener



Relay B can be wired to a second device in the same manner.

Additional wiring diagrams can be found on **Page 3**.

Consult gate operator or door opener manual for exact connections.

Terminals vary widely across manufacturers and models.

CAUTION!

If you will not be using the 12-V AC/DC adapter, please go to **Page 4** and follow the procedure, **Using a Third-Party Power Source**.

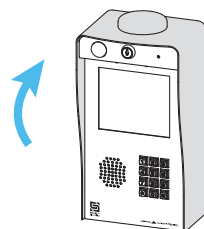
Do not exceed 24 VAC/DC! Failure to choose a compatible power source can damage unit!

STOP!

Before going forward, double check wiring and ensure unit has power!

For additional wiring options, see **Page 3**.

4 Close and lock front panel.



5 Make sure gate path is clear, then key in temporary code 2012 on keypad and confirm gate opens.

2 0 1 2

Adding and deleting codes is done through Summit Control and **NOT** from the keypad!



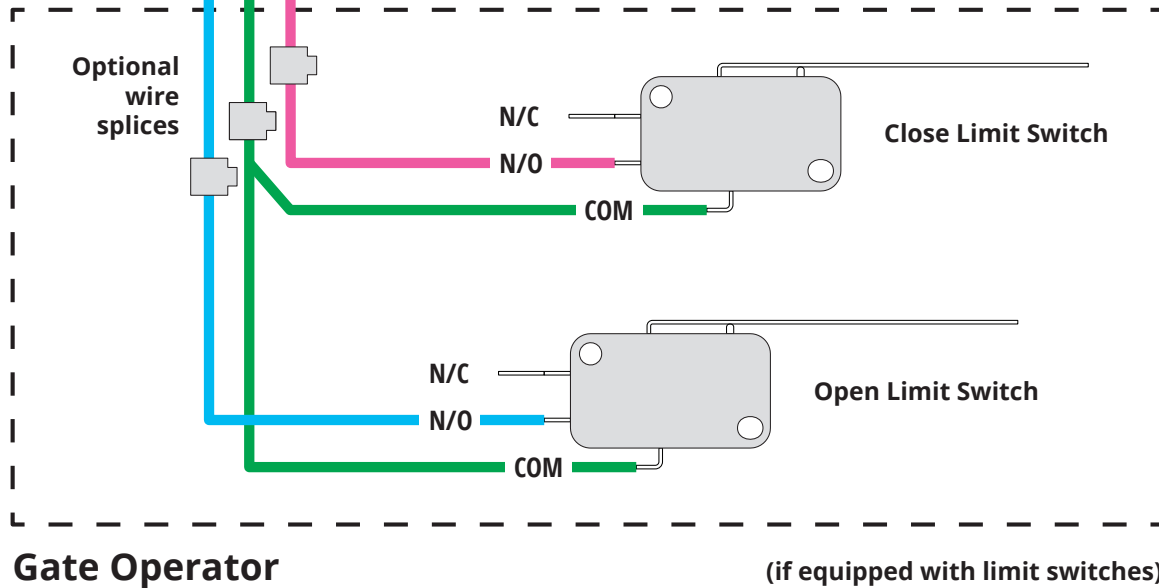
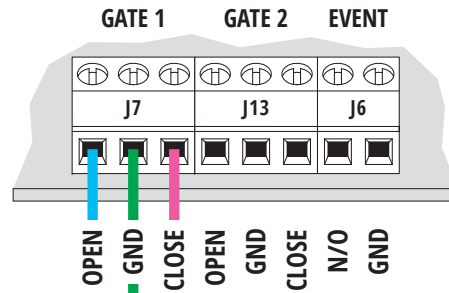
INSTALLATION COMPLETE!

Now follow the **Activation Guide** to create an account and begin using Ascent.

A Status Check

Wiring to enable Gate Status Check

Ascent Status and Event Terminals



CAUTION!

The Status Terminals are designed for low voltage (3 V or less). Check the voltage on your status wires before connecting. If it is above 3 V, you will need to contact **Technical Support**.

Exceeding 3 V can damage unit!

IMPORTANT!

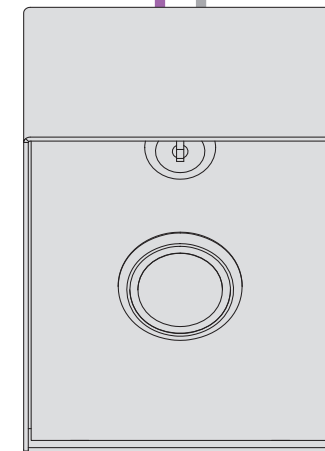
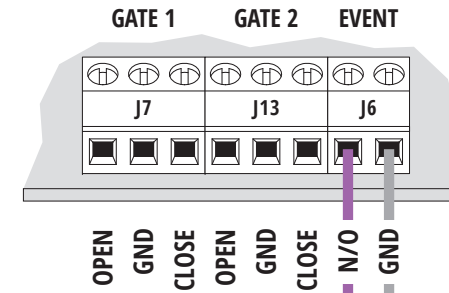
Gate Status Check **WILL NOT WORK** with a decoder!

YOU MUST USE A DRY CONTACT!

B Event Input

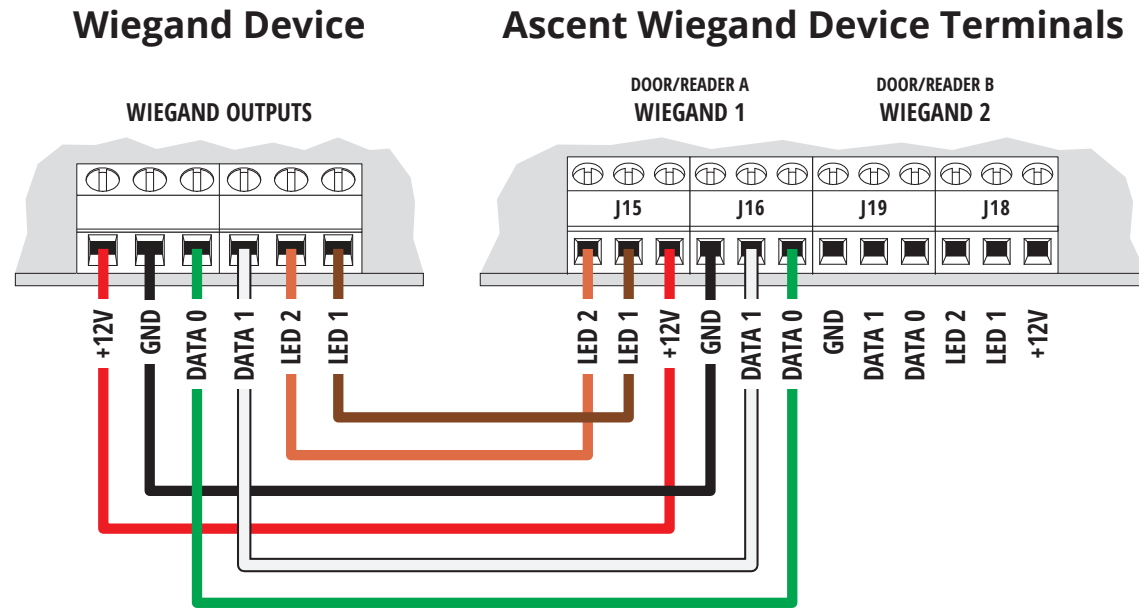
Wiring for accessories such as a request-to-exit device

Ascent Status and Event Terminals



Request-to-Exit
(58-RTE-P is shown)

C **Wiegand Device**
Wiring for Wiegand devices



CAUTION!
Disconnect power to Ascent before connecting Wiegand devices.
Failure to disconnect power can damage unit!

IMPORTANT!
We recommend mounting Ascent on a gooseneck pedestal using included hardware.
If using alternate mounting, the **4G LTE Antenna Extension Kit (p/n 16-ANTX-1)** should be purchased and installed.
Failure to do so may result in NO SIGNAL!

Using a Third-Party Power Source (Optional)

IMPORTANT!
If you would like to use a third-party power source, such as solar, verify that it conforms to the following specs:

Input	12-24 VAC/DC no more than 10% beyond this range
Current Draw	less than 260 mA @ 12 VDC less than 160 mA @ 24 VDC

3a Connect wires to unit as shown in Step 3.

3b Connect wires to your power source, making sure you connect positive to positive and negative to negative.

CAUTION!
Double check that you've wired from positive on Ascent to positive on your power source and negative on Ascent to negative on your power source.
Reverse polarity can damage unit!