

# ASCENT X<sup>1</sup> QUICK START GUIDE



**1** Carefully unpack box.

**2** Unlock and open front panel of unit for access to internal components.

**! IMPORTANT!**

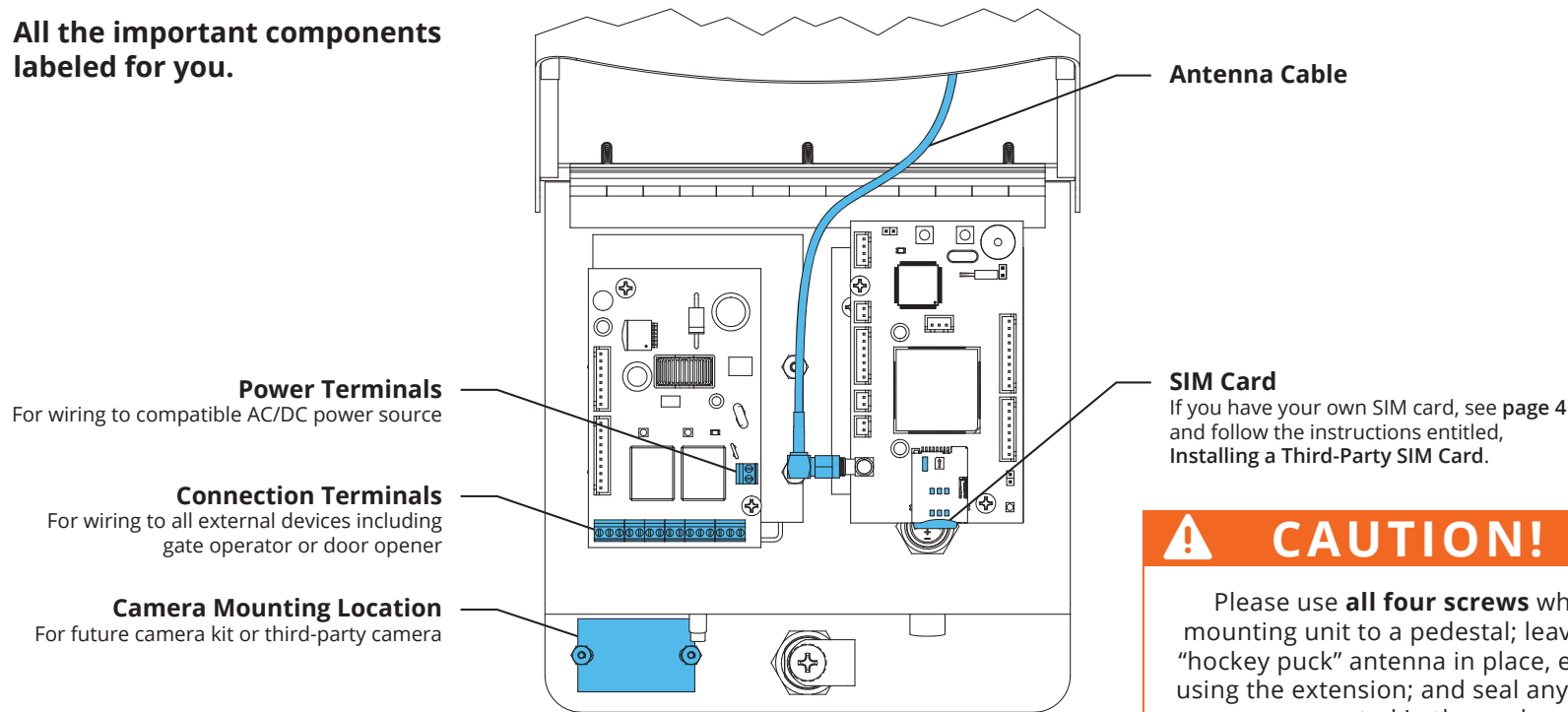
We recommend mounting Ascent on a gooseneck pedestal with the included hardware.

If using alternate mounting, the optional **Ascent 10' Cable Extension (p/n 16-X-EXT)** should be purchased. Follow the instructions included with the extension before moving on. **Failure to do so may result in no signal!**

Continued on next page...

## What's what?

All the important components labeled for you.



Unit shown with front panel fully open. Internal wiring not shown for clarity.

**! CAUTION!**

Please use **all four screws** when mounting unit to a pedestal; leave the "hockey puck" antenna in place, even if using the extension; and seal any holes or gaps created in the enclosure.

**Failure to follow these instructions can result in damage to the unit!**

**! IMPORTANT!**

Ascent **WILL NOT WORK** until the activation process is **COMPLETE!**

Follow the **Activation Guide** or call **Summit Control at (844) 259-8265** to activate your unit.

**! WARNING!**

**AUTOMATIC GATES CAN CAUSE SERIOUS INJURY OR DEATH!**

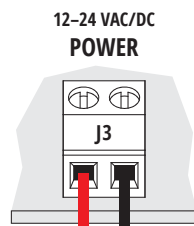
**ALWAYS CHECK** that the **GATE PATH IS CLEAR BEFORE OPERATING!**

Reversing or other safety devices should **ALWAYS BE USED!**

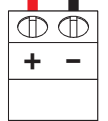
### 3 Connect wires

Feed wires through back of unit and connect as shown.

Ascent Power Terminals

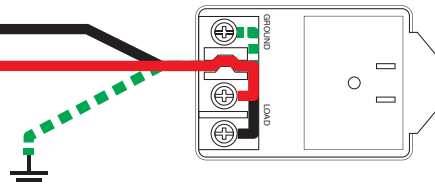


12-24 VAC/DC POWER



Third-Party 12-24-VAC/DC Power Source

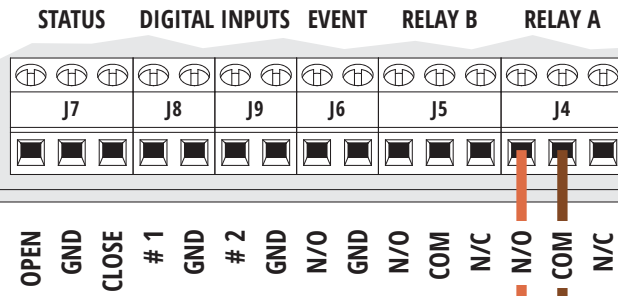
OR



Supplied 12-VDC Transformer

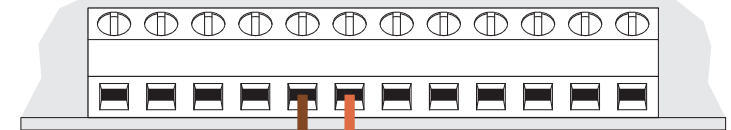
The GROUND terminal is optional unless required by local code(s). If using, please connect to earth ground or equivalent.

### Ascent Connection Terminals



### Gate Operator / Door Opener

12-24 VAC/DC POWER



Relay B can be wired to a second device in the same manner.

**CAUTION!**

If you will not be using the supplied 12-VDC transformer, please go to **page 4** and follow the procedure, **Using a Third-Party Power Source**.

**Do not exceed 24 VAC/DC! Failure to choose a compatible power source can damage unit!**

**STOP!**

Before proceeding, double check that wiring is correct and unit has power!

For additional wiring options, see **page 3**.

**4** Close and lock front panel.

**5** Make sure gate path is clear, then key in temporary code 2012 on keypad and confirm gate opens.

2 0 1 2

Adding and deleting codes is done through Summit Control and **NOT** from the keypad!

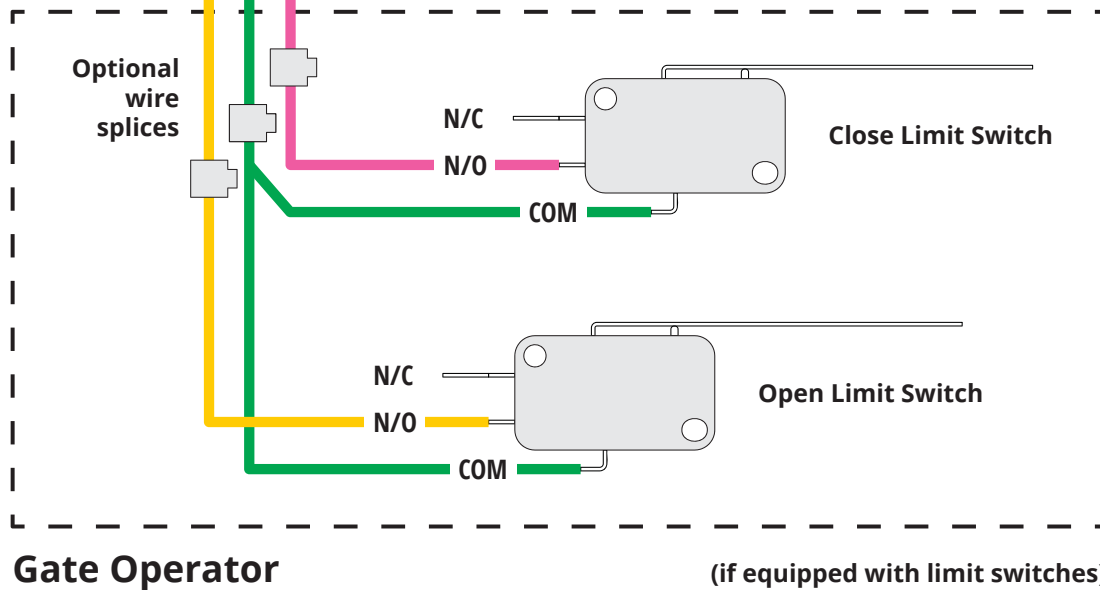
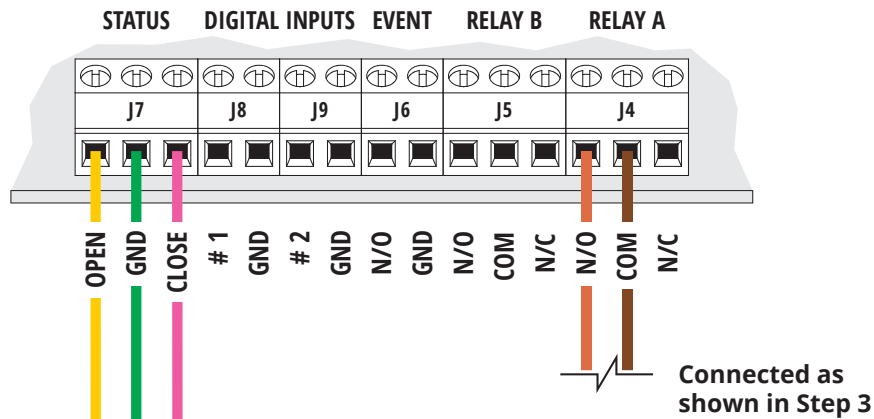
**INSTALLATION COMPLETE!**

Now follow the **Activation Guide** to create an account and begin using Ascent.

## A Status Check

Wiring to enable Gate Status Check

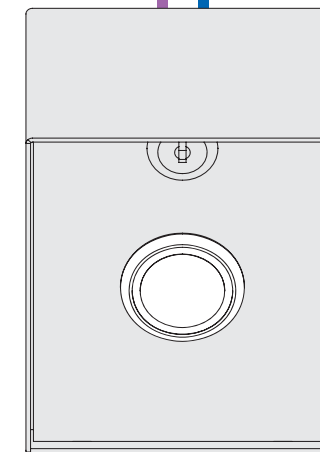
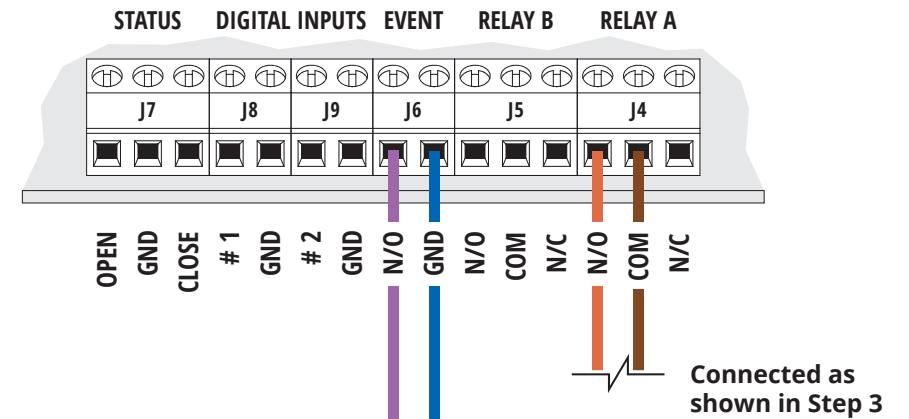
### Ascent Connection Terminals



## B Event Input

Wiring for accessories such as a request-to-exit device

### Ascent Connection Terminals



### Request-to-Exit

(Summit Access Control S-RTE-P is shown)

## Using a Third-Party Power Source (Optional)

**⚠ IMPORTANT!**

If you would like to use a third-party power source, such as solar, verify that it conforms to the following specs:

<b>Input</b>	12–24 VAC/DC no more than 10% under or over
<b>Current Draw</b>	less than 190 mA @ 12 VDC less than 160 mA @ 24 VDC

**3a** Connect wires to unit as shown in Step 3.

**3b** Connect wires to your power source, making sure you connect positive to positive and negative to negative.

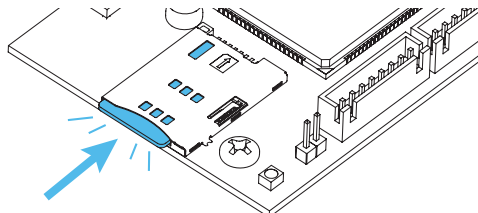
**⚠ CAUTION!**

Double check that you've wired from positive on Ascent to positive on your power source and negative on Ascent to negative on your power source.

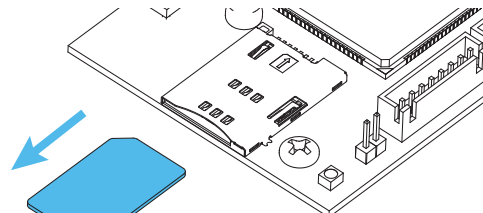
**Reverse polarity can damage Ascent!**

## Installing a Third-Party SIM Card (Optional)

**1** Push existing SIM card in until it unlocks with "click" sound.



**2** Remove existing SIM card and locate new SIM card.



**3** Insert new SIM card until it locks in place with "click" sound.

