

ASCENT X¹ QUICK START GUIDE



1 Carefully unpack box.

2 Unlock and open front panel of unit for access to internal components.

! IMPORTANT!

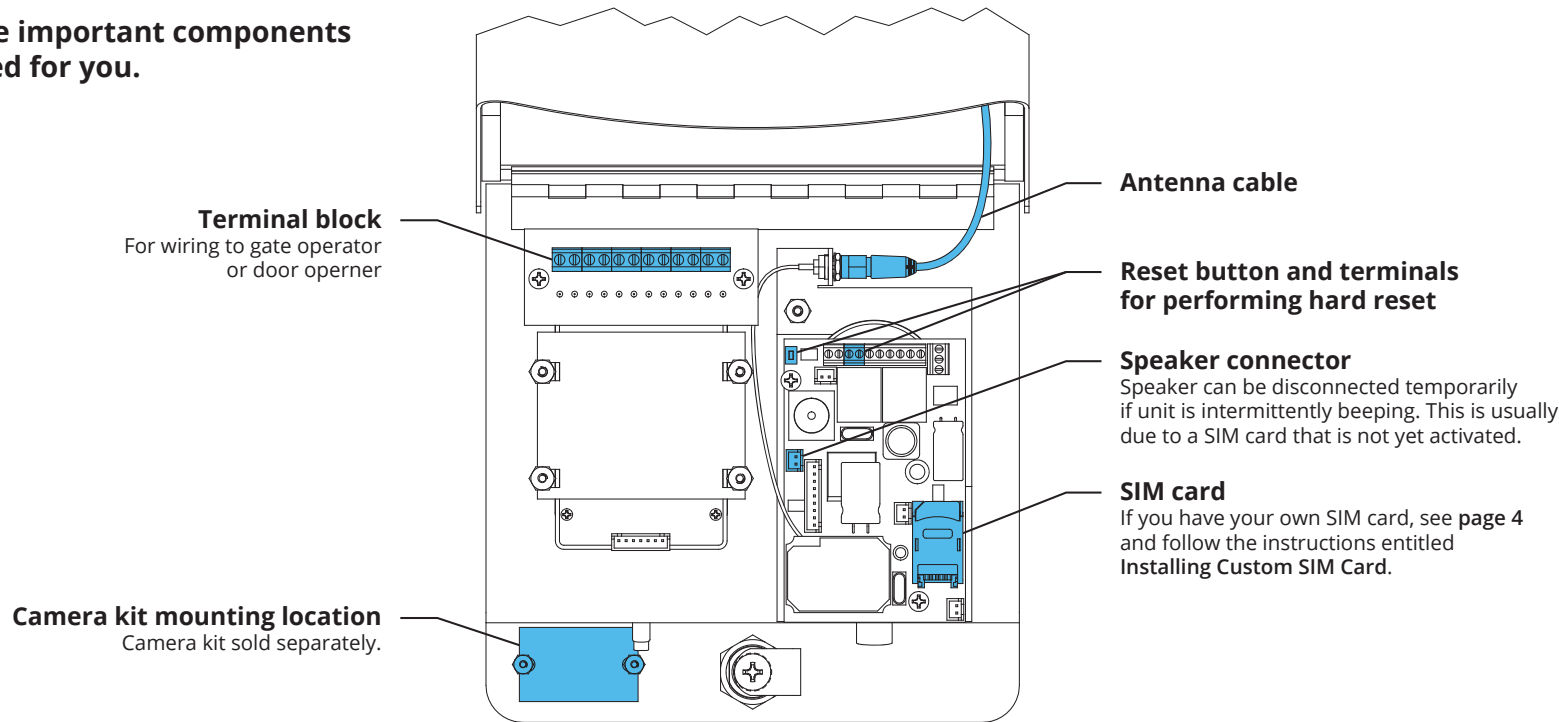
We recommend mounting Ascent X1 on a standard gooseneck pedestal.

If using alternate mounting, the optional **Ascent 10' Cable Extension (p/n 16-X-EXT)** must be purchased. Follow the instructions included with the extension before moving on. **Failure to do so may result in no signal!**

Continued on next page...

What's what?

All the important components labeled for you.



Unit shown with front panel fully open.
Internal wiring not shown for clarity.

! IMPORTANT!

Ascent X1 **WILL NOT WORK** until the activation process has been completed!

Follow the **Activation Guide** or call **Summit Control at (844) 259-8265** to activate your unit.

! WARNING!

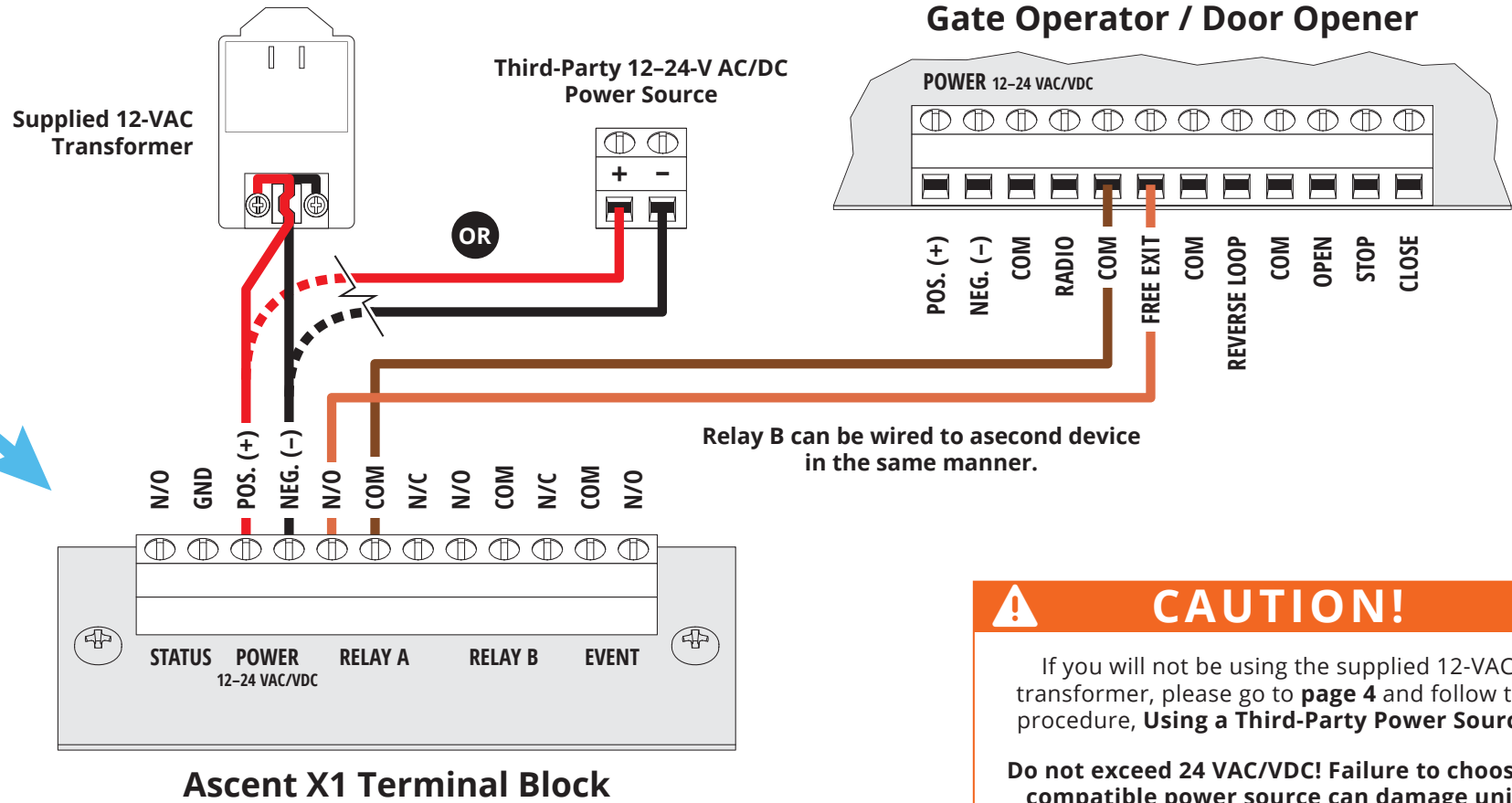
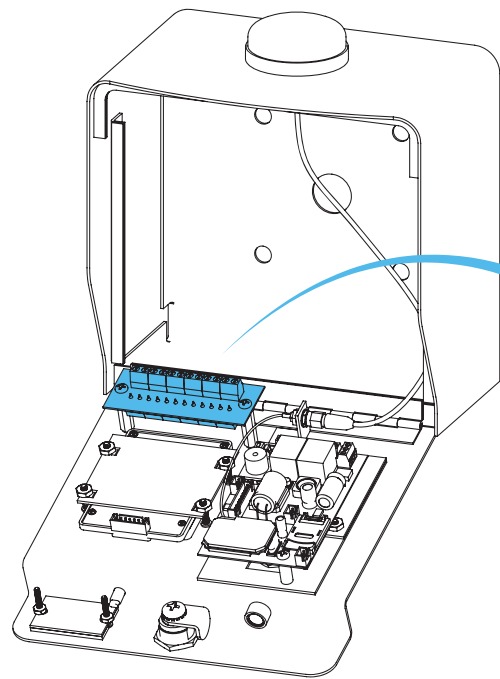
AUTOMATIC GATES CAN CAUSE SERIOUS INJURY OR DEATH!

ALWAYS CHECK that the **GATE PATH IS CLEAR BEFORE OPERATING!**

Reversing or other safety devices should **ALWAYS BE USED!**

3 Connect wires

Feed wires through back of unit and connect as shown.



CAUTION!

If you will not be using the supplied 12-VAC transformer, please go to **page 4** and follow the procedure, **Using a Third-Party Power Source**.

Do not exceed 24 VAC/VDC! Failure to choose a compatible power source can damage unit!

STOP!

Before proceeding, double check that wiring is correct and unit has power!

For additional wiring options, see **page 3**.

4 Close and lock front panel.

5 Make sure gate path is clear, then key in temporary code 2012 on keypad and confirm gate opens.

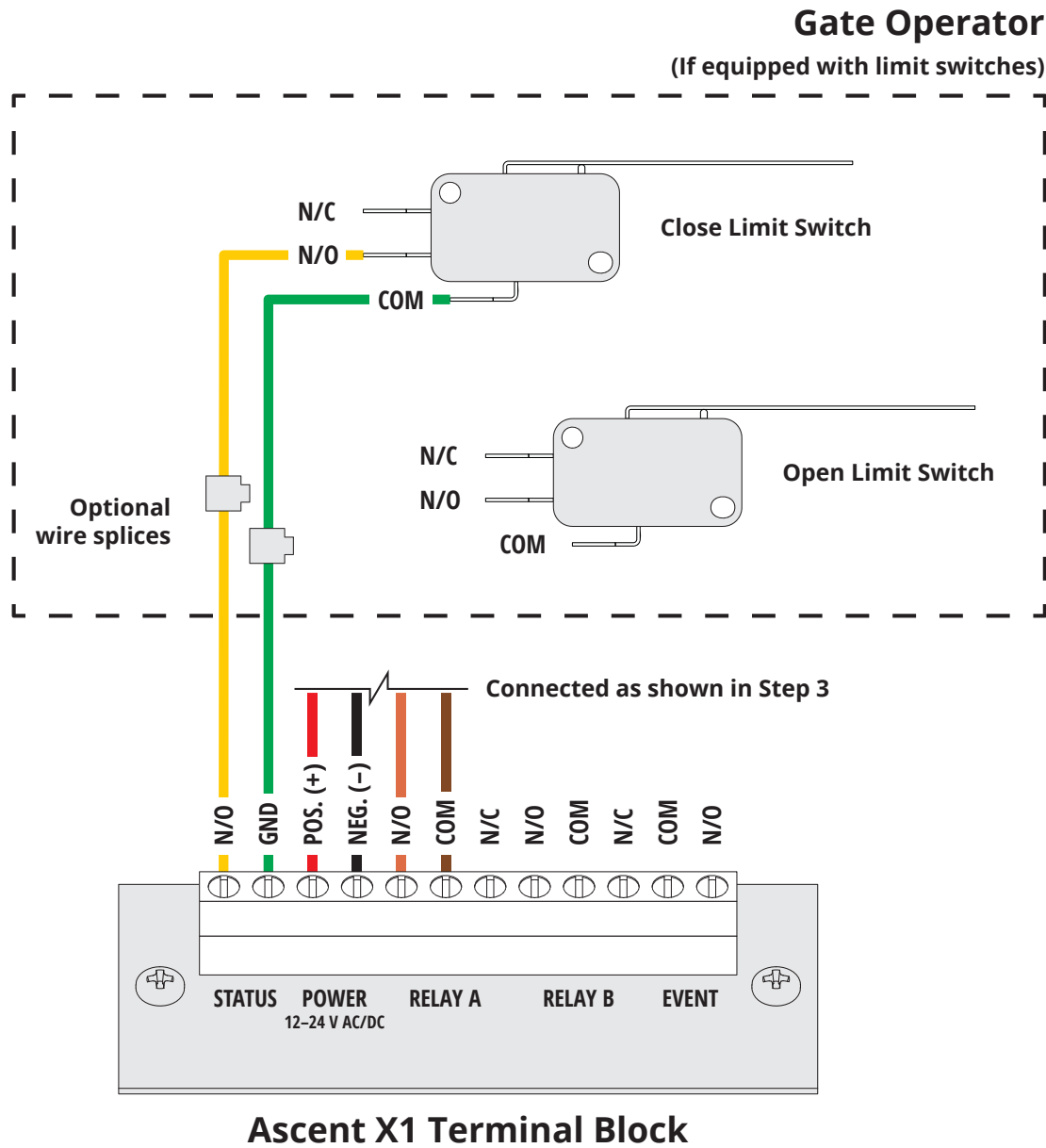
2 0 1 2

INSTALLATION COMPLETE!

Now follow the **Activation Guide** to create an account and begin using Ascent.

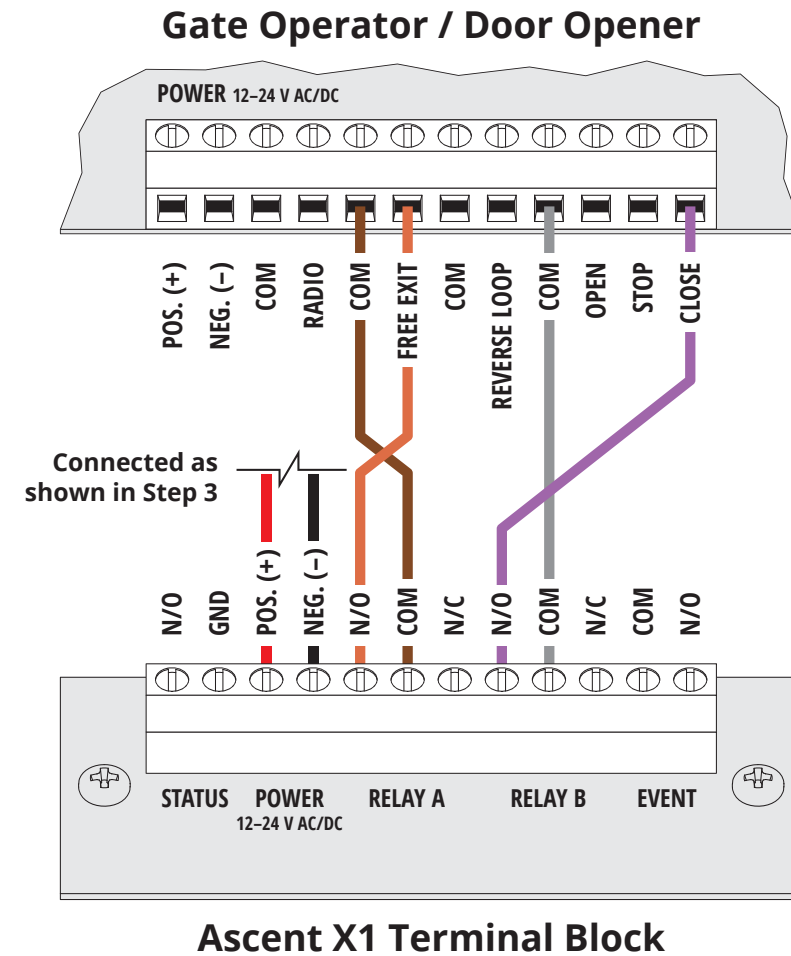
A Status Check

Wiring to enable device status check



B Open/Close Mode

Wiring when not using gate operator's "timer-to-close" function.



IMPORTANT!

Open/Close Mode will only work if the device is set to that mode from the **Device Settings** page in the **Admin Area!**
You **CANNOT** log in until account activation has been completed!

Using a Third-Party Power Source (Optional)

⚠ IMPORTANT!

If you would like to use a third-party power source, such as solar, verify that it conforms to the following specs:

Input	12–24 VAC / VDC must be within $\pm 10\%$
Current Draw	less than 100 mA @ 12 VDC less than 75 mA @ 24 VDC

3a Connect wires to unit as shown in Step 3.

3b Connect wires to your power source, making sure you connect positive to positive and negative to negative.

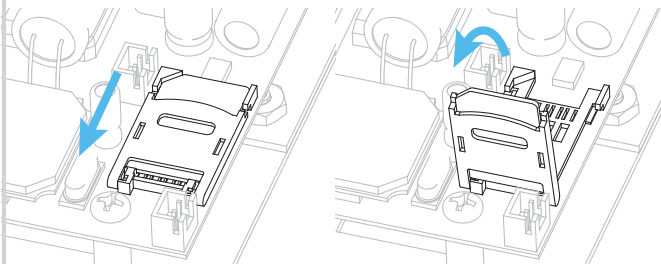
⚠ CAUTION!

Double check that you've wired from positive on Ascent X1 to positive on your power source and negative on Ascent X1 to negative on your power source.

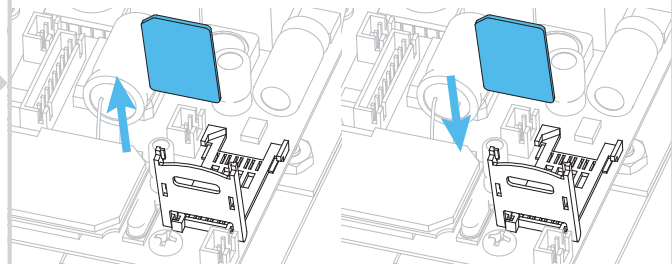
Reverse polarity can damage Ascent!

Installing Custom SIM Card (Optional)

1 Slide SIM card holder in OPEN direction and lift to swing open.



2 Remove existing SIM card and install new SIM card.



3 Swing cover back down completely and slide in CLOSE direction to lock.

