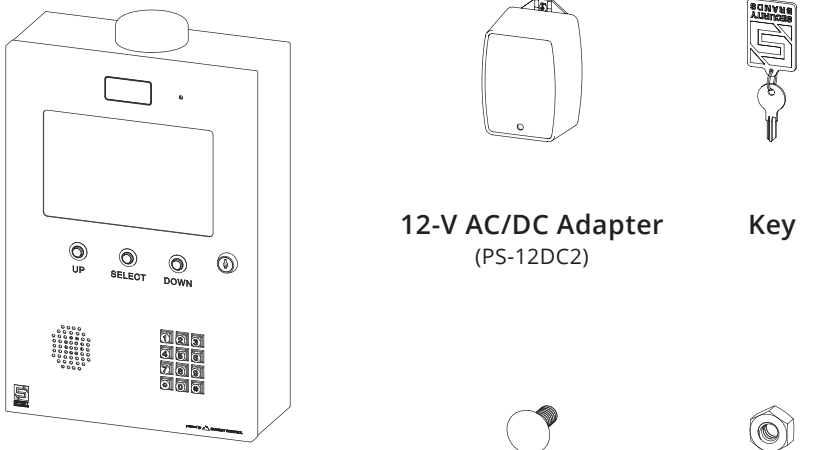




1 Unpack box and make sure you have all items shown here. (Screwdriver not shown.)



Ascent Unit

12-V AC/DC Adapter (PS-12DC2)

Key

Carriage Bolt (4x)

Hex Nut (4x)

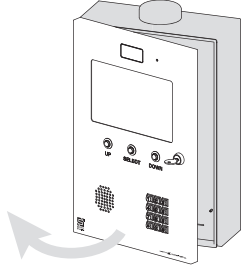
STOP

This is a cellular accessory for a gate or door. An uninterrupted cellular connection **CANNOT BE GUARANTEED!**

An emergency egress or primary entry mechanism **SHOULD ALWAYS BE USED!** (transmitter, fire box, mechanical release)

Consult with your dealer, distributor, and/or system designer for more information.

2 Unlock and open front door of unit for mounting, wiring, and setup.



WARNING

AUTOMATIC GATES CAN CAUSE SERIOUS INJURY OR DEATH!

ALWAYS CHECK THAT THE GATE PATH IS CLEAR BEFORE OPERATING!

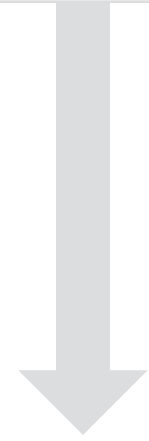
REVERSING OR OTHER SAFETY DEVICES SHOULD ALWAYS BE USED!

IMPORTANT

This Ascent unit **WILL NOT WORK** until the activation process is **COMPLETE!**

Follow the included **Activation Guide** to get this unit activated.

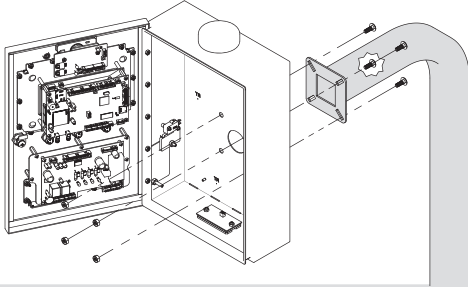
If you need help or have any questions, please contact **Summit Control** at (972) 474-6422.



Continued on next page...

3

Mount unit to pedestal using included mounting hardware. (This step may be completed later.)



IMPORTANT

We recommend mounting the unit on a gooseneck pedestal using the included mounting hardware.

If using alternate mounting, the **4G LTE Antenna Extension Kit (Model 16-ANTX-1)** should be purchased and installed.

Failure to do so may result in NO SIGNAL!

CAUTION

Use all four carriage bolts when mounting the unit to a pedestal.

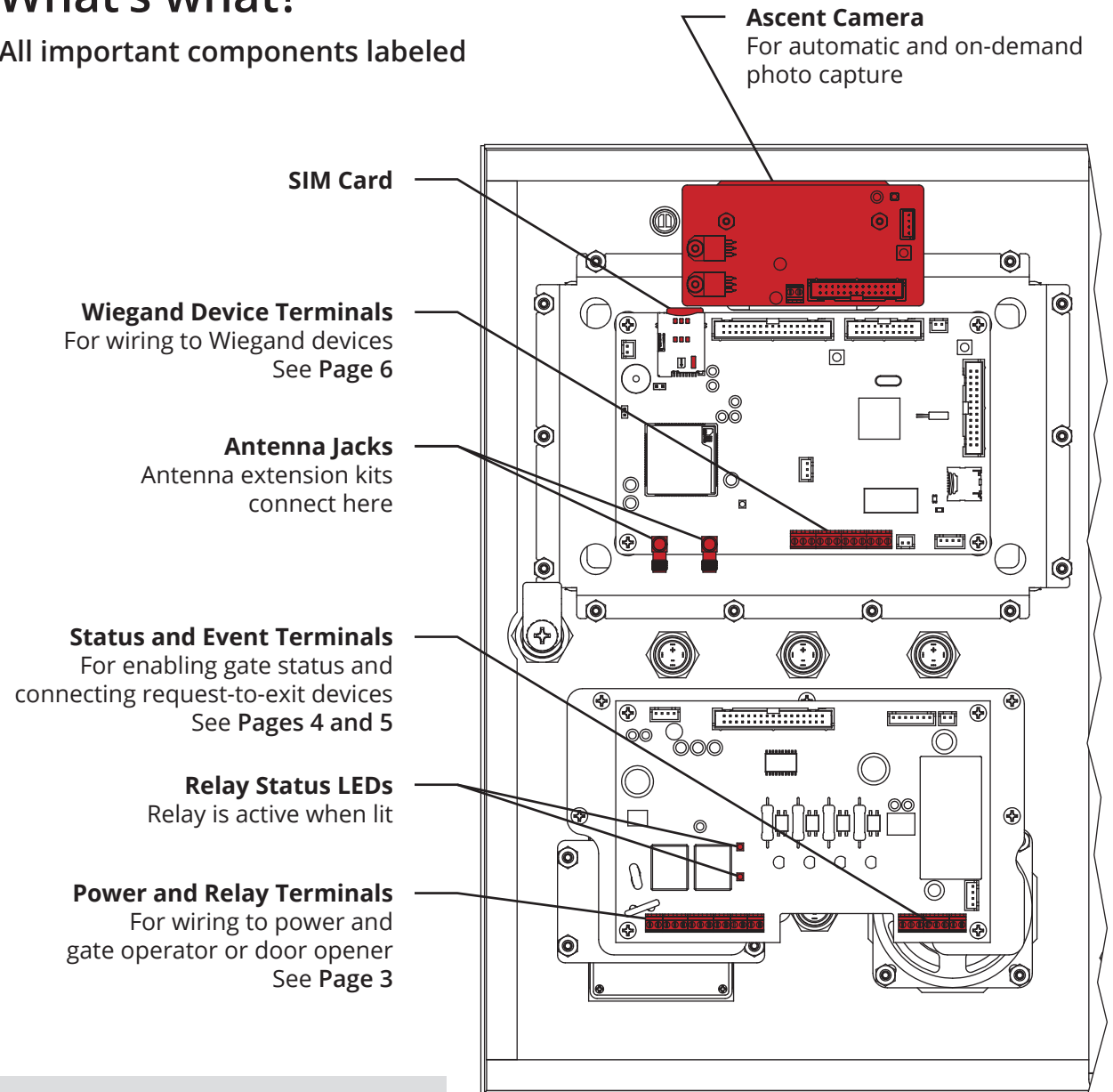
Leave the "hockey puck" antenna in place even if using an antenna extension.

Seal all openings created in the enclosure.

Failure to follow these instructions can damage the unit!

What's what?

All important components labeled



Inside of front door shown.
Wiring/cabling not shown for clarity.

4

Connect wires

Feed wires through back of unit, and connect as shown using included screwdriver.

Excessive force can damage unit!

Additional wiring diagrams can be found on **Pages 4-6**.

If installing a postal lock, go to securitybrandsinc.com/resources/



CAUTION

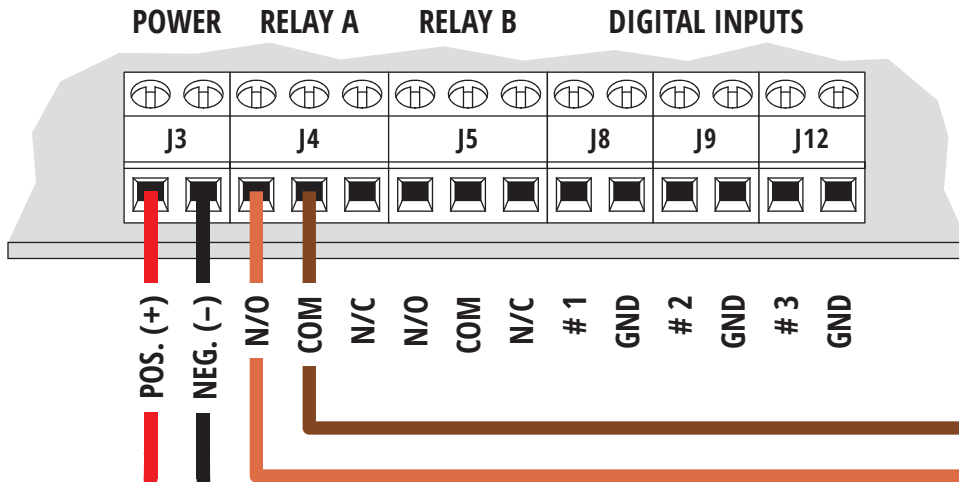


If the included 12-V AC/DC adapter will not be used, please go to **Page 5** and follow the procedure, **Using a Third-Party Power Source**.

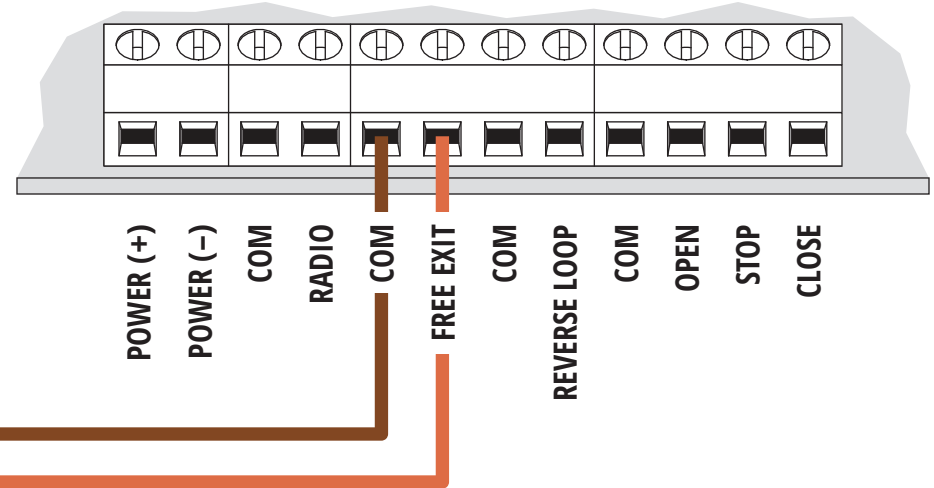
Do not exceed 24 VAC/DC! Failure to choose a compatible power source can damage the unit!

Ascent Power and Relay Terminals

12-24 VAC/DC



Gate Operator / Door Opener

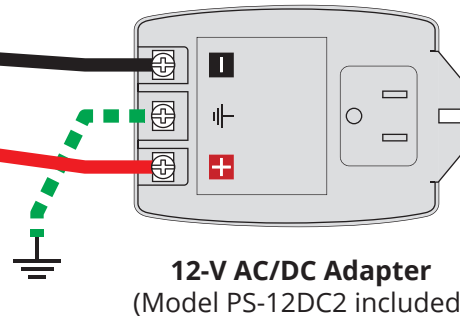


Relay B can be wired to a second device in the same manner.

Third-Party 12-24-VAC/DC Power Source

OR

The GROUND terminal is optional unless required by local code(s). If using, please connect to earth ground or equivalent.



Consult gate/door opener manual for exact connections. Terminals vary widely across manufacturers and models.

If plugging into duplex outlet, remove screw from outlet plate, and secure with included screw.

STOP

Before going forward, double check all wiring and make sure the unit has power!

Wiring diagrams for connecting to accessory devices can be found on Pages 4-6.

For connecting accessories not mentioned, please contact **Technical Support**.

Make sure the gate path is clear before completing Step 5!

5 Key in temporary code 2012 on keypad and confirm gate opens. If it does, close and lock front door of unit.

2 0 1 2

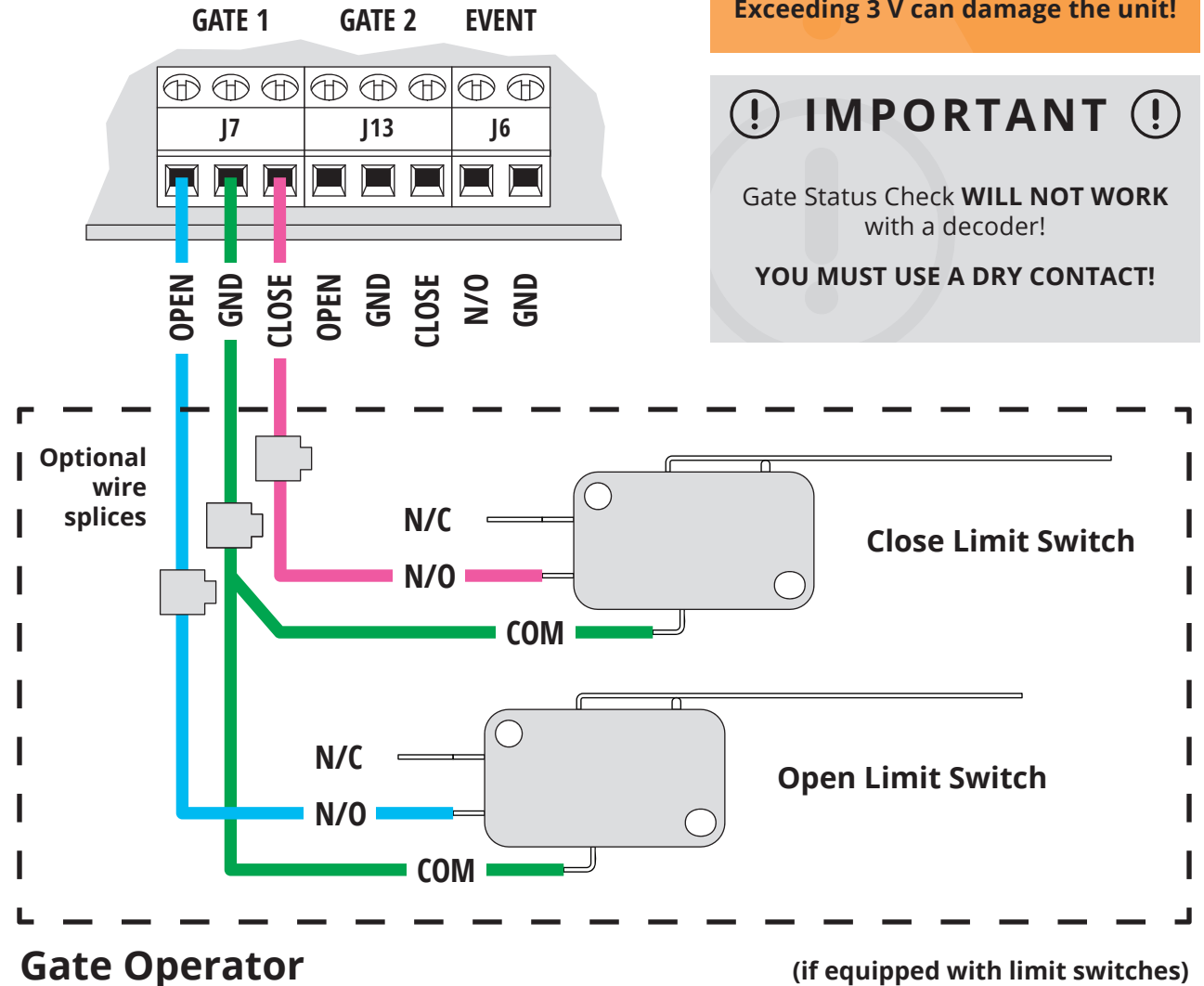
Adding and deleting codes is done through Summit Control and **NOT** from keypad on unit!

INSTALLATION COMPLETE!

Now follow the **Activation Guide** to create an account and begin using Ascent.

A **Status Check**
Wiring to enable Gate Status Check

Ascent Status and Event Terminals



CAUTION

The Status Terminals are designed for low voltage (**3 V or less**). Check the voltage on your status wires before connecting. If it is above 3 V, please contact **Technical Support**.

Exceeding 3 V can damage the unit!

IMPORTANT

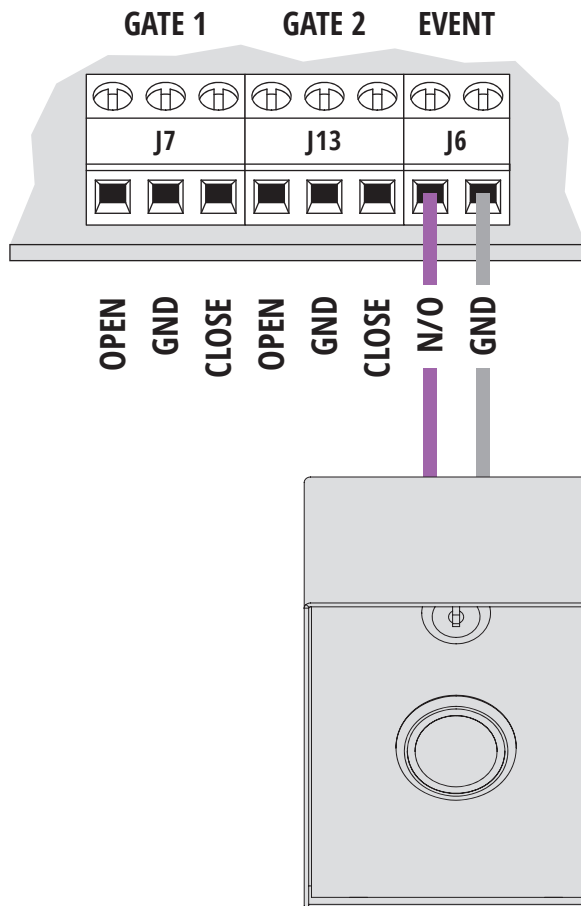
Gate Status Check **WILL NOT WORK** with a decoder!

YOU MUST USE A DRY CONTACT!

B Event Input

Wiring for accessories such as a request-to-exit device

Ascent Status and Event Terminals



Request-to-Exit Device

(58-RTE-P is shown)

Using a Third-Party Power Source (Optional)

! IMPORTANT !

Verify your power source is compatible with the unit's electrical specifications below.

Not intended for solar applications!

Input	12–24 VAC/DC no more than 10% beyond this range
Current Draw	less than 690 mA @ 12 VDC less than 420 mA @ 24 VDC

4a

Connect wires to unit as shown in Step 4.

4b

Connect wires to your power source, making sure you connect positive to positive and negative to negative.

! CAUTION !

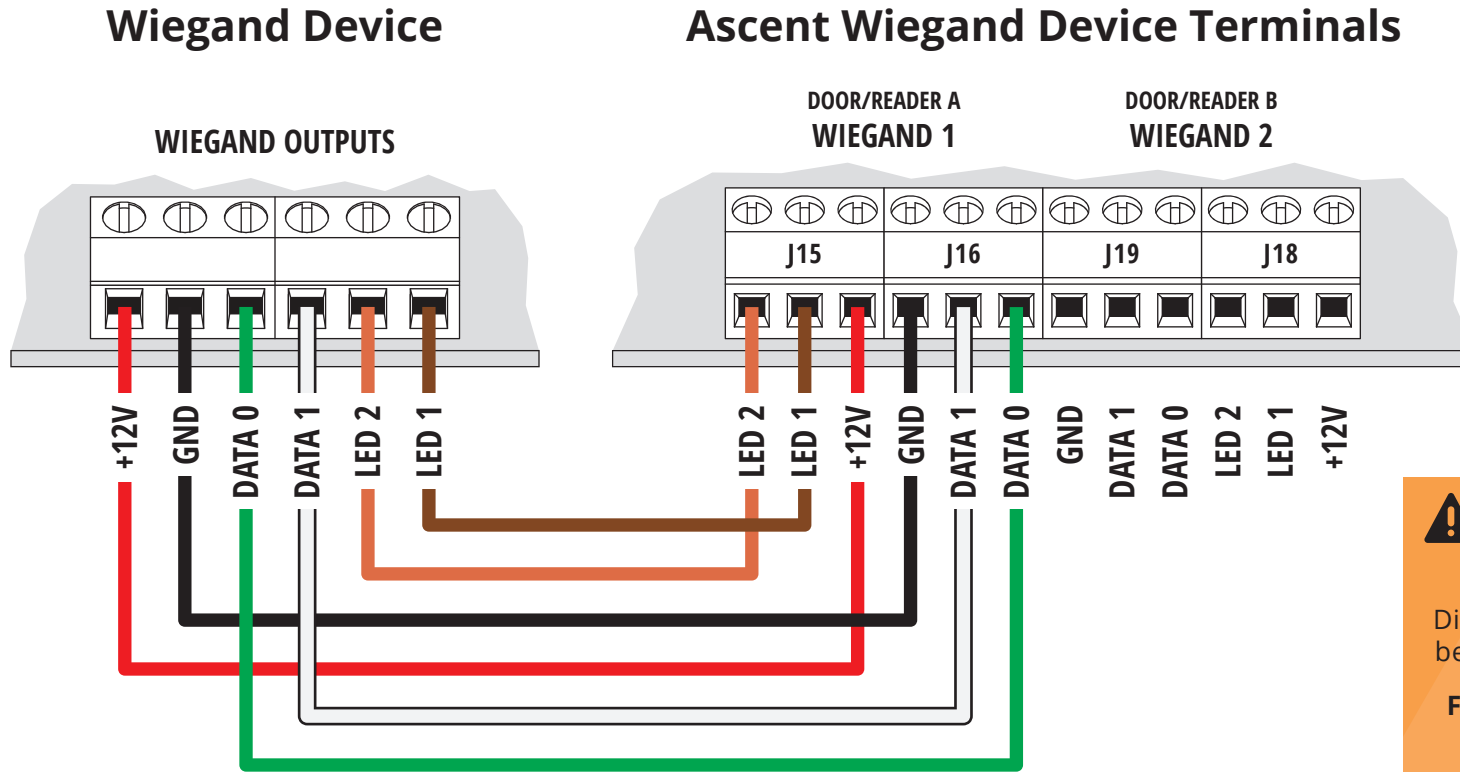
Double check that you have wired from positive on the Ascent unit to positive on your power source and negative on the Ascent unit to negative on your power source.

Reverse polarity can damage the unit!

C

Wiegand Device

Wiring for a Wiegand device such as a card reader



CAUTION

Disconnect power to the Ascent unit before connecting Wiegand devices.

Failure to disconnect power can damage the unit!