

RTE P



INSTALLATION AND USE MANUAL

58-RTE-P



TOUCHLESS REQUEST-TO-EXIT STATION



SECURITY BRANDS INC

www.ShopAmericanAccess.com | (800) 878-7829 | Sales@ShopAmericanAccess.com

Security Brands, Inc. Two-Year Limited Warranty

This Warranty Applies To:

Products branded as Security Brands, Inc., American Access Systems, and Summit Access Control

What Is Covered:

Any defects in materials or workmanship

Coverage Period:

Two years from date of purchase

What We Will Do:

If your Security Brands, Inc. (SBI), American Access Systems (AAS), or Summit Access Control (SAC) product is defective and returned within two years of purchase, we will repair, or at our option, replace the unit at no charge to you. If we repair your SBI, AAS, or SAC product, we may use new or reconditioned parts. If we choose to replace your SBI, AAS, or SAC product, we may replace it with a new or reconditioned unit of the same or similar design. The repair or replacement unit is warranted for (a) ninety days (b) the remainder of the original two-year warranty period, whichever is longer.

Limitations:

Implied warranties, including those of fitness for a particular purpose and merchant ability (an unwritten warranty that the product is fit for ordinary use) are limited to two years from the date of purchase. Security Brands, Inc. will not pay for loss of time, inconvenience, loss of use of your SBI, AAS, or SAC product, service calls, or property damage caused by your SBI, AAS, or SAC product or its failure to operate, or any other incidental or consequential damages. Some states do not allow limitations on how long an implied warranty lasts or the exclusion or limitation of incidental or consequential damages, so the above exclusions or limitations may not apply to you.

What We Ask You To Do:

To receive warranty service for your SBI, AAS, or SAC product, you must provide proof of the date of purchase. Contact the original dealer or installer of the product, and return your SBI, AAS, or SAC product along with the receipt to them. If you have problems locating the dealer or installer, contact Security Brands, Inc. at (972) 474-6390, and we will direct you to an SBI, AAS, or SAC authorized dealer or distributor. If you ship your SBI, AAS, or SAC product, you must prepay all shipping charges. We suggest that you retain your original packing material in the event you need to ship your SBI, AAS, or SAC product. Upon return, include your name, address, phone number, proof of date of purchase, and a brief description of the problem. This information needs to be included to receive a Return Merchandise Authorization (RMA) number.

What This Warranty Does Not Cover:

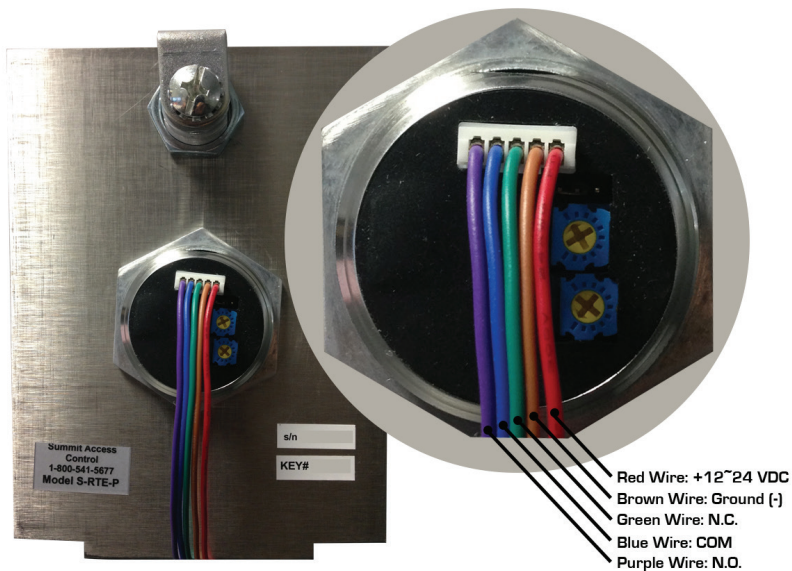
The warranty does not cover defects resulting from accidents, damage while in transit, alterations, unauthorized repair, failure to follow installation and operating instructions, misuse, fire, flood, or acts of God. Nor do we warrant your SBI, AAS, or SAC product to be compatible with any particular external device or peripheral. If your warranty has expired on your SBI, AAS, or SAC product, or if your product is NOT covered, contact your dealer or installer for advice on whether we will repair your SBI, AAS, or SAC product and for other repair information, including estimated repair costs and additional charges that may be incurred. We, at our option, may replace, rather than repair your SBI, AAS, or SAC product with a new or similar design if the damage to the unit is severe or extensive. This is the only warranty we offer on this product, and it sets forth all our responsibilities regarding your SBI, AAS, or SAC product. There are no other express warranties.

State Law Rights:

This warranty gives you specific legal rights, and you may also have other rights which vary from state to state.

Serial Number _____

Wiring Diagram



Specifications

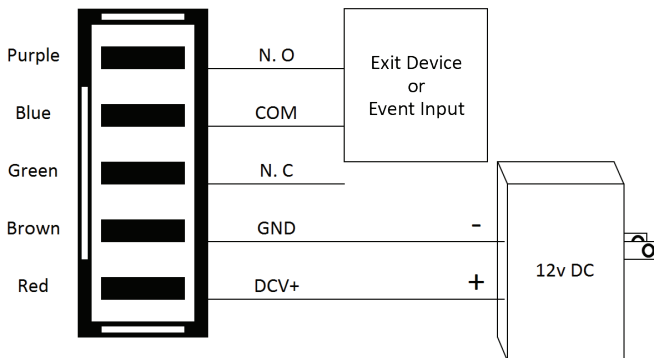
Power Input	12–24 VDC	±10%
Range	1.25 in. to 4.5 in. (±25%)	
Output Loading	1 A @ 30 VDC (Max.)	
Output State	Trigger state (0.5–20 seconds) or toggle mode output	
Lifetime	Infrared Sensor: 100,000 hours	Relay: 1,000,000 uses
Indicator	Standby: RED (default) / Proximity: GREEN (default)	Color of LED is adjustable
Case	Stainless Steel	
Current Consumption	Maximum current: 45 mA	24 VDC
Dimensions	5.25 in. (H) x 4.0 in. (W) x 3.0 in. (D)	
Weight	2.4 lbs (complete enclosure)	

Features

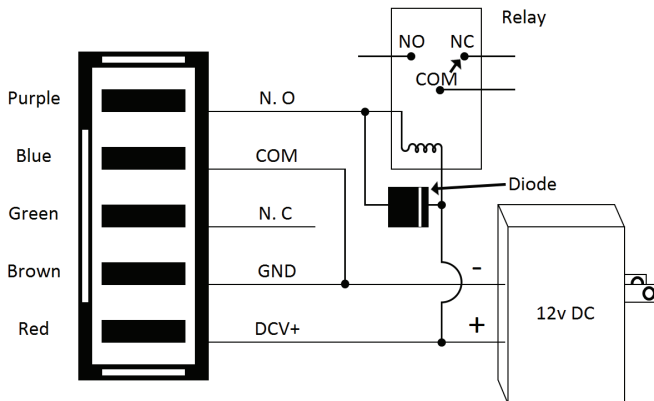
- Adjustable sensor range up to 4.5 inches.
- Stainless-steel faceplate. Powder-coated enclosure.
- Weather-resistant for outdoor use.
- 1-A relay with adjustable trigger duration (0.5–20 seconds or toggle).
- LED illuminated sensor area for easy identification.
- Configurable LED colors (toggle red to green or green to red) to show sensor is activated.

Common Installation Examples

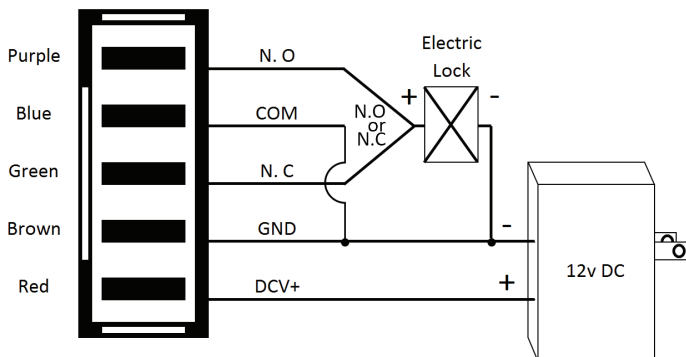
A. Controller Door Opening



B. Connect Relay



C. Electric Lock

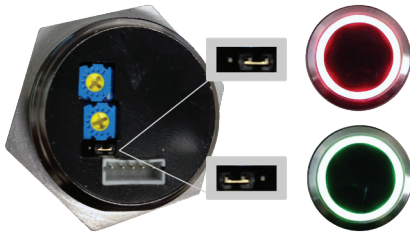


Installation

1. Run four wires through pedestal (or similar mounting hardware).
 2. Connect four wires to request-to-exit sensor according to wiring diagram on previous page.
 3. Reattach stainless-steel faceplate to enclosure, taking care not to crimp any wires.
 4. Remove clear protective film from front face of sensor before use.
-

⚠ WARNING: Do not connect any device that will exceed 1 A @ 30 VDC! This can damage the unit!

Changing the LED Color Jumper Placement



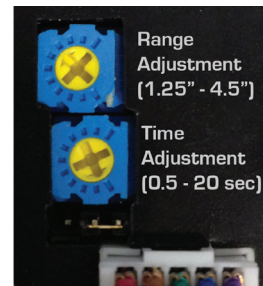
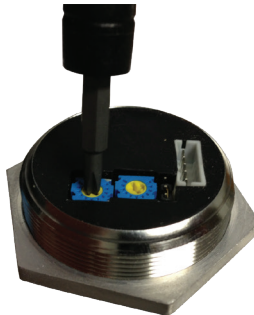
Standby: Red
Trigger: Green
(default)

Standby: Green
Trigger: Red

Adjusting the Sensor Range and Trigger Time

1. The sensor range can be adjusted from 1.25 in. - 4.5 in.
2. The trigger time can be adjusted from 0.5 to 20 seconds or toggle.

IMPORTANT: Do not force the adjustment trimpots to turn. Only minimal force is required.



Care and Cleaning for the Sensor

The sensor requires special care to ensure reliability and a long operating life.

1. Use a soft, clean cloth for cleaning, and use the mildest cleaner available.
 2. When cleaning, spray the cleaning solution onto the cleaning cloth instead of the unit itself.
 3. Be sure to wipe off any excess liquid from the sensor. Wet spots or wet areas may affect the sensor's performance.
-

⚠ WARNING: Use caution when mounting! Incorrect mounting, which leads to exposure to rain or moisture inside the enclosure could cause a dangerous electric shock, damage to the unit, and/or could void the warranty!

NEED HELP

Customer Service

(972) 474-6390

customerservice@securitybrandsinc.com

Technical Support

(972) 474-6390

techsupport@securitybrandsinc.com

Both services are available free of charge **Monday–Friday, 8 am to 5 pm Central Time**.
When you call, please have both your **model** and **serial numbers** handy for quicker service.

An aerial photograph of a vast, snow-covered mountain range. The peaks are jagged and heavily laden with snow, with some rocky outcrops visible. The valleys between the mountains are filled with dense evergreen forests, also partially covered in snow. The overall scene is serene and majestic, with a soft, diffused light that suggests a winter day.

TOUCHLESS REQUEST-TO-EXIT STATION
MODEL 58-RTE-P