

# ASCENT C<sup>2</sup>



25-C2

TWO-DOOR CELLULAR ACCESS CONTROL SYSTEM

## FEATURES

- 4G LTE cellular
- 2 Wiegand inputs
- Ascent Link integration
- Control up to 2 gates/doors
- Cloud-based access control management
- Up to 10,000 app, text, and voice users
- Push and/or email event and status notifications
- 7-day timers
- Holiday timers and special-event timers
- Temporary users with permission limits
- Audit trail with detailed reports
- “Do Not Disturb” mode
- IP65-rated polycarbonate enclosure



powered by  **SUMMIT CONTROL**

GET THE SUMMIT CONTROL APP



## MODULAR AND CONFIGURABLE

Build and configure the ideal setup to fit your unique needs with two Wiegand inputs.

## POWERFULLY EXPANDABLE

It's a multi-door access control solution that grows. Network multiple units together and manage multiple entries via Summit Control.

## OPEN OR CLOSED?

Check the current status of your doors or access points remotely and quickly.

## RUGGED AND DURABLE

Engineered to handle whatever is thrown its way flawlessly—this unit will stand up to the harshest elements for years to come.



## SPECIFICATIONS

### PHYSICAL

Dimensions 13.00"(H) x 8.50"(W) x 6.00"(D)  
 Shipping Weight 6 lbs.

### ELECTRICAL

Input 12-24 VAC/DC  
 12-VDC power supply included (PS-12DC1)  
 Current Draw less than 180 mA @ 12 VDC  
 less than 150 mA @ 24 VDC  
 with relay latched

### RELAY

Contact Rating 10 A @ 120 VAC / 24 VDC  
 Max Switching Voltage 250 VAC / 30 VDC  
 Max Switching Current 15 A  
 Max Switching Power 240 W / 2,770 VA

### COMMUNICATION





Cellular Network 4G LTE

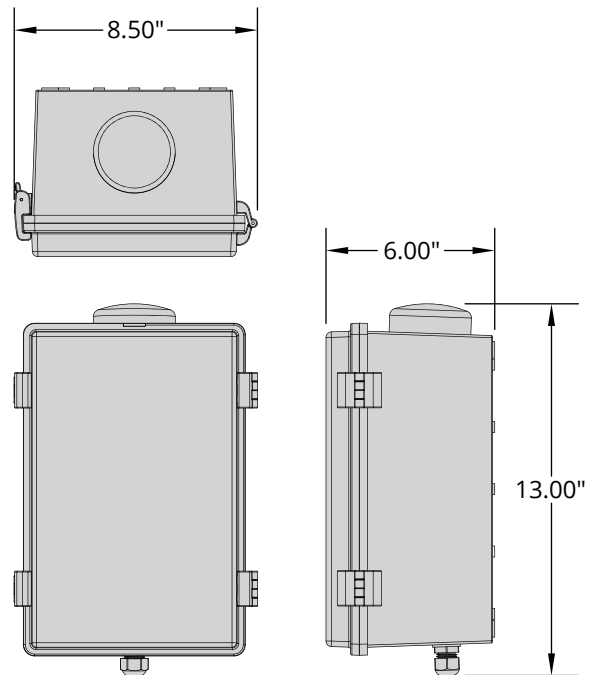
### ENVIRONMENTAL

Operating Temperature -15 to 158 °F  
 Enclosure Weather Rating IP65

## CONTROL IT YOUR WAY

2<sup>DOOR</sup>

-  APP
-  TEXT
-  VOICE
-  WIEGAND DEVICES



Unit includes one (1) pre-installed 3/8" NPT cable gland for wiring.

▲ Actual voltage should be no more than 10% beyond specified range. Use of the included 12-VDC power supply is recommended.

## GET STARTED NOW!

### PAY JUST ONE BILL!\*

Unit includes a SIM card ready for activation.

**We do ALL the legwork for you!**



**SUMMIT CONTROL**



\* Monthly bill covers cost of SIM card, actions gateway, servers, maintenance, development, app, and tech support.